

## VALVE PLUG SUPPRESSOR FORM BI - 11MM 90°

With LED, 24VAC/DC/50VA/W

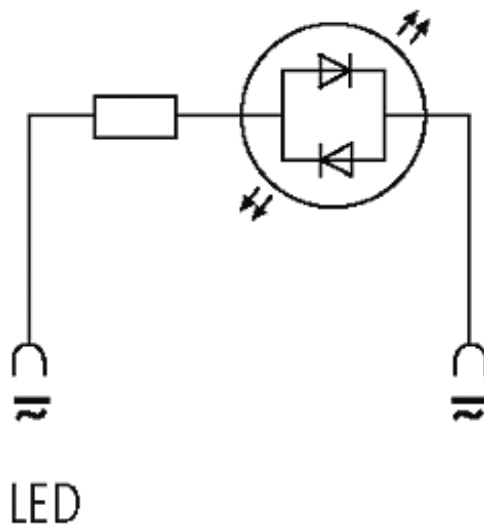
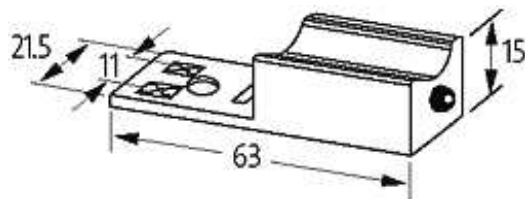
24 V AC/DC

LED

Remove plug gasket when fitting adapter. Other LED colors on request. Note PIN arrangement (PE at cable outlet of connector). 180° turned version on request.

### [Link to Product](#)

#### Illustration



Product may differ from Image

#### General data

Housing	Polyamide black, flame retardant, temperature resistance up to 130 °C
Temperature range	-20...+60 °C
Contact material	Silvered bronze
Dimensions H × W × D	15×63×21.5 mm

**Technical Data**

Max. power (W)	max. 50 W(VA)
----------------	---------------

**Commercial data**

country of origin	CZ
customs tariff number	85363010
minimum order quantity	1