

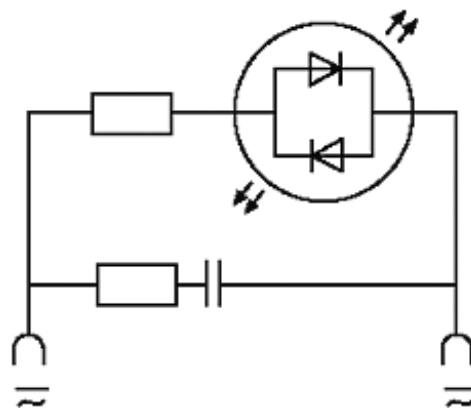
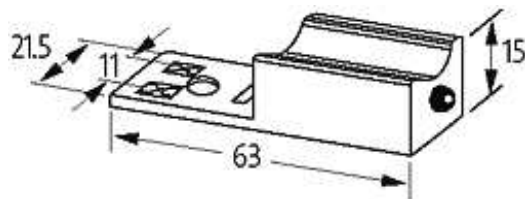
VALVE PLUG SUPPRESSOR FORM BI - 11MM 90°

RC and LED, 24VAC/DC/20VA/W

24 V AC/DC

RC + LED

Remove plug gasket when fitting adapter. Other LED colors on request. Note PIN arrangement (PE at cable outlet of connector). 180° turned version on request.

Link to Product**Illustration**

LED + RC

Product may differ from Image

General data

| | |
|----------------------|---|
| Housing | Polyamide black, flame retardant, temperature resistance up to 130 °C |
| Temperature range | -20...+60 °C |
| Contact material | Silvered bronze |
| Dimensions H × W × D | 15×63×21.5 mm |

Technical Data

| | |
|-----------------------|---------------|
| Switch off delay time | max. 20 ms |
| Switch off peak | max. 70 V |
| Max. power (W) | max. 20 W(VA) |

Commercial data

| | |
|------------------------|----------|
| country of origin | CZ |
| customs tariff number | 85363010 |
| minimum order quantity | 1 |