

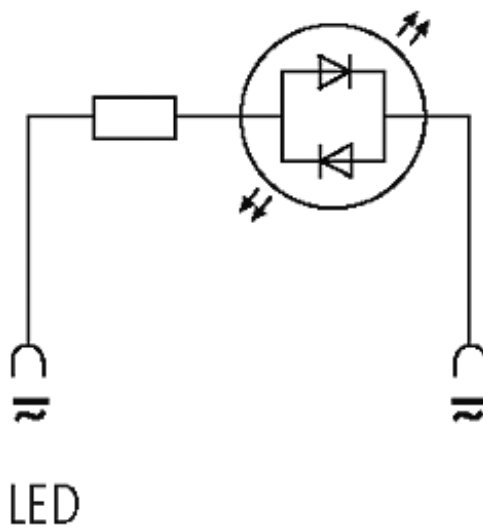
VALVE PLUG SUPPRESSOR FORM C - 8MM

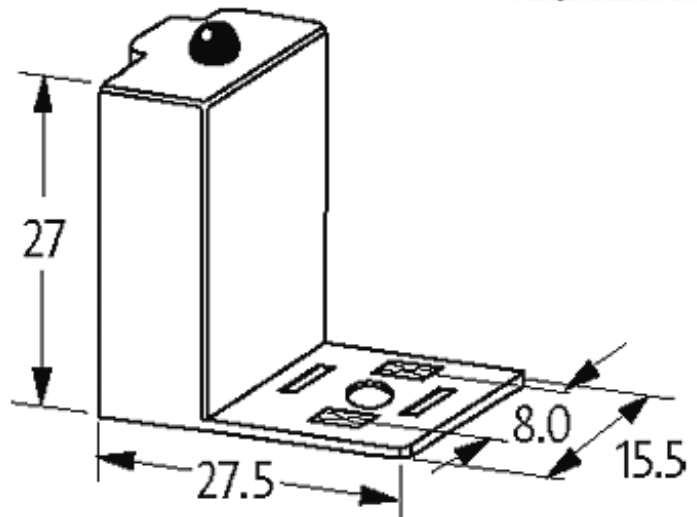
With LED, 24VAC/DC/50VA/W

24 V AC/DC

LED

Remove plug gasket when fitting adapter. Other LED colors on request.

[Link to Product](#)**Illustration**



Product may differ from Image

General data

Housing	Polyamide black, flame retardant, temperature resistance up to 130 °C
Temperature range	-20...+60 °C
Contact material	Silvered bronze
Dimensions H × W × D	27×27.5×15.5 mm

Technical Data

LED display	(yellow opac)
Max. power (W)	max. 50 W(VA)

Commercial data

country of origin	CZ
customs tariff number	85363010
minimum order quantity	1