

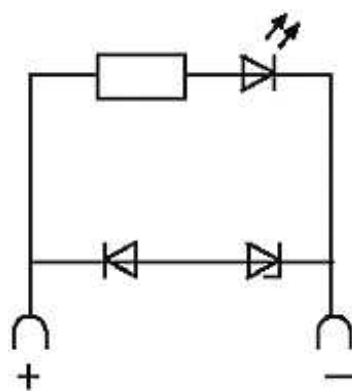
VALVE PLUG SUPPRESSOR FORM CI - 9.4MM

Zener diode and LED, 24VAC/DC/100VA/W

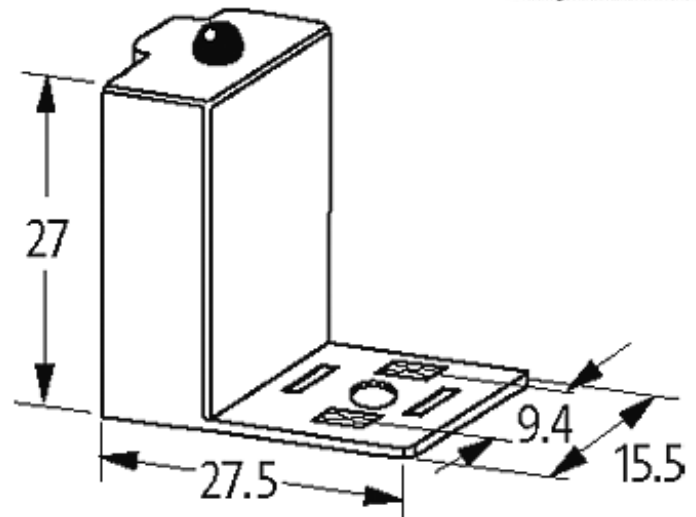
24 V AC/DC

Z-Diode + LED

Remove plug gasket when fitting adapter. Other LED colors on request.

[Link to Product](#)**Illustration**

Z-Diode + LED



Product may differ from Image

General data

Housing	Polyamide black, flame retardant, temperature resistance up to 130 °C
Temperature range	-20...+60 °C
Contact material	Silvered bronze
Dimensions H × W × D	27×27.5×15.5 mm

Technical Data

LED display	(yellow opac)
Switch off delay time	max. 20 ms
Switch off peak	max. 55 V
Max. power (W)	max. 100 W(VA)

Commercial data

country of origin	CZ
customs tariff number	85363010
minimum order quantity	1