

VALVE PLUG SUPPRESSOR FORM B - 10MM

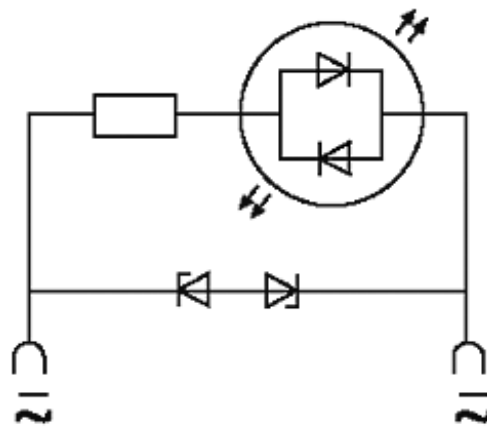
Zener diode and LED, 24VDC/100VA/W

24 V AC/DC
Z-Diode + LED
with suppression

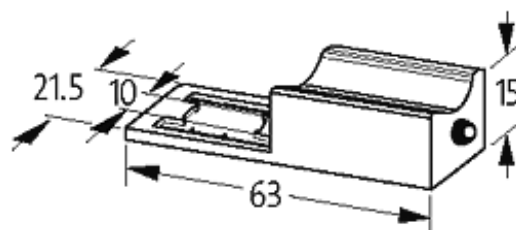
Remove plug gasket when fitting adapter. Other LED colors on request. suitable for 0 and 180° installation

[Link to Product](#)

Illustration



LED + Zenerdiode



Product may differ from Image

General data

Housing	Polyamide black, flame retardant, temperature resistance up to 130 °C
Temperature range	-20...+60 °C
Contact material	Silvered bronze
Dimensions H × W × D	15×63×21.5 mm

Technical Data

LED display	(yellow opac)
Switch off delay time	max. 20 ms
Switch off peak	max. 55 V
Max. power (W)	max. 100 W(VA)

Commercial data

country of origin	CZ
customs tariff number	85363010
minimum order quantity	1