

VALVE PLUG SUPPRESSOR FORM B - 10MM

With LED, 24VDC/50VA/W

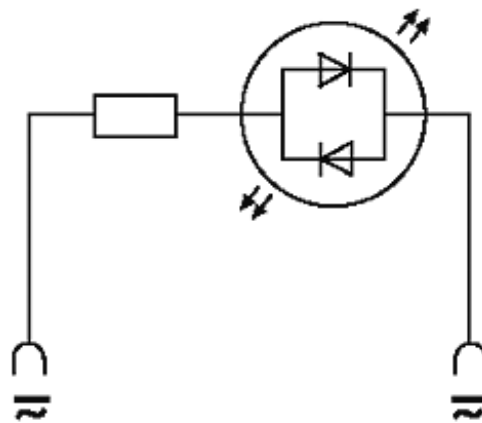
24 V AC/DC

LED

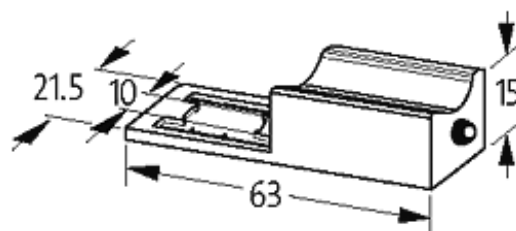
Remove plug gasket when fitting adapter. Other LED colors on request. suitable for 0 and 180° installation

[Link to Product](#)

Illustration



LED



Product may differ from Image

General data

The information in this brochure has been compiled with the utmost care.
Liability for the correctness completeness and topicality of the information is restricted to gross negligence. Version: 05/16

Housing	Polyamide black, flame retardant, temperature resistance up to 130 °C
Temperature range	-20...+60 °C
Contact material	Silvered bronze
Dimensions H x W x D	15x63x21.5 mm

Technical Data

LED display	(yellow opac)
Max. power (W)	max. 50 W(VA)

Commercial data

country of origin	CZ
customs tariff number	85363010
minimum order quantity	1