

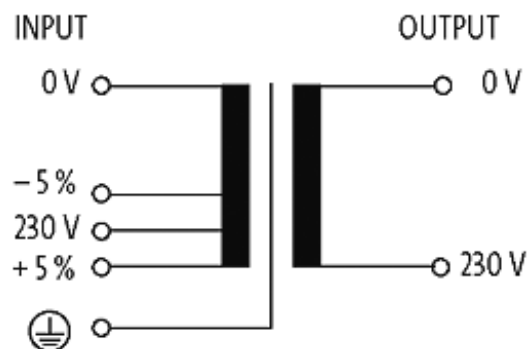
## MET 1-PHASE CONTROL AND ISOLATION TRANSFORMER

P: 630VA IN: 230VAC+/- 5% OUT: 230VAC

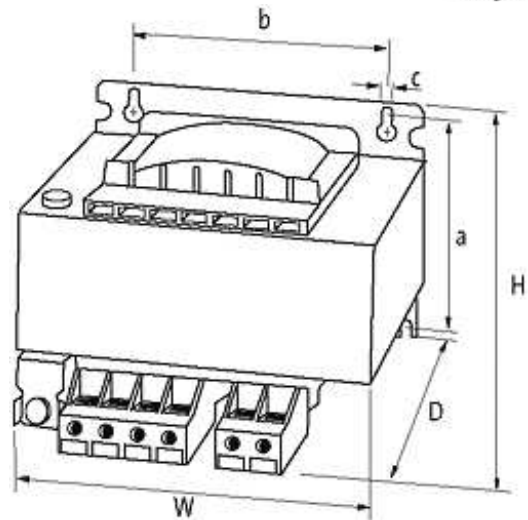
Single-phase - Control and Isolation Transformers  
 630 VA  
 Spring clamp terminals  
 Isolation class T 60/B

### [Link to Product](#)

#### Illustration



stay connected



Product may differ from Image

### Approvals



### Input

|                       |                    |
|-----------------------|--------------------|
| Input voltage         | 230 V AC $\pm 5\%$ |
| Frequency             | 50...60 Hz         |
| Input current         | 2.98 A (230 V AC)  |
| Short-circuit current | 82.3 A (230 V AC)  |
| Inrush current        | 75.6 A (230 V AC)  |

### General data

|                          |   |
|--------------------------|---|
| Standards                | EN 61558-1, EN 61558-2-4, EN 62041 category 0 |
| Test isolation voltage   | 4 kV (prim./sec.)                             |
| Dimensions H x W x D     | 129x150x148 mm                                |
| Fixing centers a x b x c | 107.5x122x7 mm                                |
| Drill hole $\varnothing$ | 7x11 mm                                       |
| Mounting method          | Key-hole mounting                             |
| Temperature range        | -20...+60 °C, no condensation                 |

### Output

|                |          |
|----------------|----------|
| Output voltage | 230 V AC |
|----------------|----------|

### Commercial data

|                        |          |
|------------------------|----------|
| country of origin      | CZ       |
| customs tariff number  | 85043180 |
| minimum order quantity | 1        |