

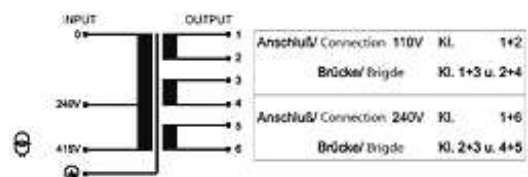
## MET 1-PHASE CONTROL AND ISOLATION TRANSFORMER

P: 630VA IN: 240-415VAC OUT: 110-110-20VAC

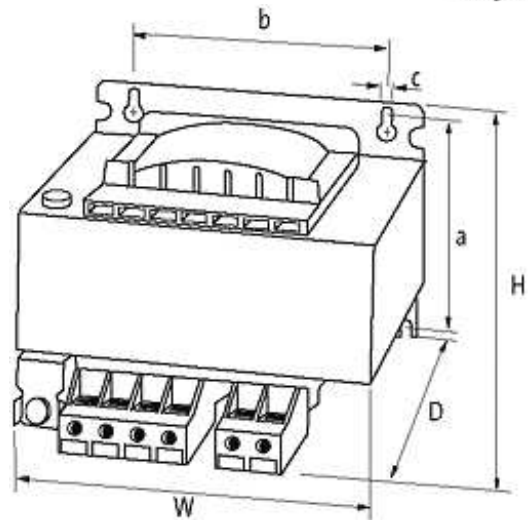
Single-phase - Control and Isolation Transformers  
 630 VA  
 Spring clamp terminals  
 Isolation class T 60/B

### [Link to Product](#)

#### Illustration



stay connected



Product may differ from Image

### Approvals



### Input

Input voltage	240/415 V AC
Input current	2.98 A (240 V AC); 1.71 A (415 V AC)
Short-circuit current	82.3 A (240 V AC); 47.7 A (415 V AC)
Inrush current	75.6 A (240 V AC); 43.4 A (415 V AC)

### General data

Standards	EN 61558-1, EN 61558-2-4, EN 62041 category 0
Test isolation voltage	4 kV (prim./sec.)
Mounting method	Key-hole mounting
Dimensions H × W × D	129×150×148 mm
Fixing centers a × b × c	107.5×122×7 mm
Drill hole Ø	7×11 mm
Temperature range	-20...+60 °C, no condensation

### Output

Output voltage	110/240 V AC
----------------	--------------

### Commercial data

country of origin	CZ
customs tariff number	85043180
minimum order quantity	1