

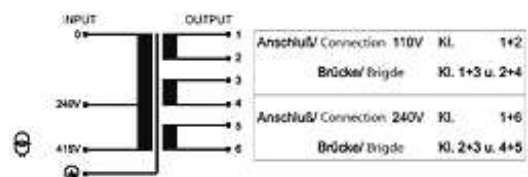
## MET 1-PHASE CONTROL AND ISOLATION TRANSFORMER

P: 800VA IN: 240-415VAC OUT: 110-110-20VAC

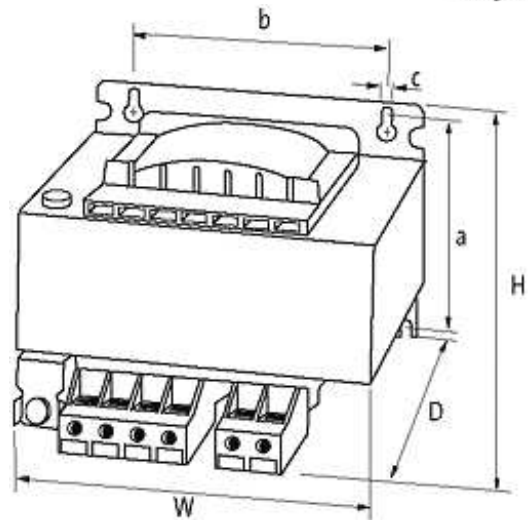
Single-phase - Control and Isolation Transformers  
 800 VA  
 Spring clamp terminals  
 Isolation class T 60/B

### [Link to Product](#)

#### Illustration



stay connected



Product may differ from Image

### Approvals



### Input

Input voltage	240/415 V AC
Input current	3.75 A (240 V AC); 2.15 A (415 V AC)
Short-circuit current	87.8 A (240 V AC); 50.4 A (415 V AC)
Inrush current	92.8 A (240 V AC); 49.12 A (415 V AC)

### General data

Standards	EN 61558-1, EN 61558-2-4, EN 62041 category 0
Test isolation voltage	4 kV (prim./sec.)
Mounting method	Key-hole mounting
Dimensions H × W × D	118×174×148 mm
Fixing centers a × b × c	92×135×7 mm
Drill hole Ø	7×11 mm
Temperature range	-20...+60 °C, no condensation

### Output

Output voltage	110/240 V AC
----------------	--------------

### Commercial data

country of origin	CZ
customs tariff number	85043180
minimum order quantity	1