

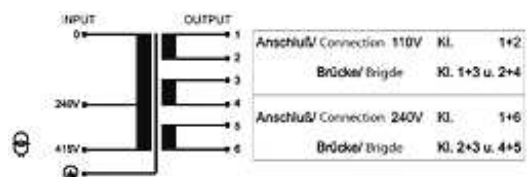
MET 1-PHASE CONTROL AND ISOLATION TRANSFORMER

P: 1000VA IN: 240-415VAC OUT: 110-110-20VAC

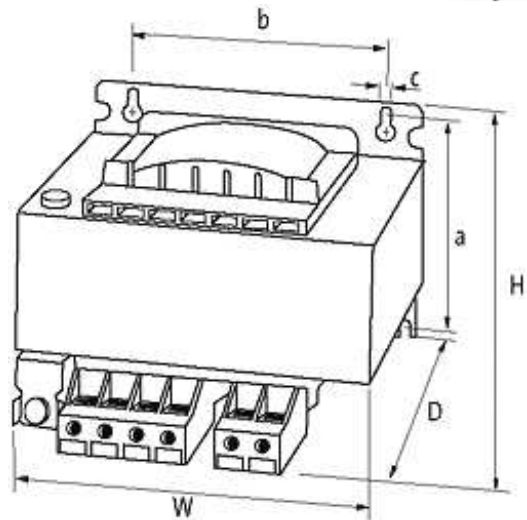
Single-phase - Control and Isolation Transformers
 1000 VA
 Spring clamp terminals
 Isolation class T 60/B

[Link to Product](#)

Illustration



stay connected



Product may differ from Image

Approvals



Input

Input voltage	240/415 V AC
Input current	4.64 A (240 V AC); 2.68 A (415 V AC)
Short-circuit current	138 A (240 V AC); 79.4 A (415 V AC)
Inrush current	110 A (240 V AC); 62.5 A (415 V AC)

General data

Standards	EN 61558-1, EN 61558-2-4, EN 62041 category 0
Test isolation voltage	4 kV (prim./sec.)
Mounting method	Key-hole mounting
Dimensions H x W x D	138x174x160 mm
Fixing centers a x b x c	111.5x135x7 mm
Drill hole Ø	7x11 mm
Temperature range	-20...+60 °C, no condensation

Output

Output voltage	110/240 V AC
----------------	--------------

Commercial data

country of origin	CZ
customs tariff number	85043180
minimum order quantity	1