

## MTS 1-PHASE CONTROL AND ISOLATION TRANSFORMER

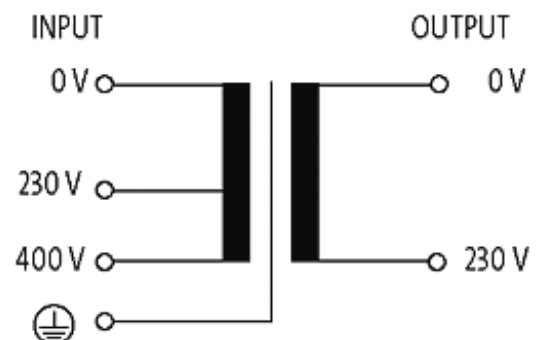
P: 63VA IN: 230/400VAC OUT: 230VAC

Single-phase - Control and Isolation Transformers  
 63 VA  
 Spring clamp terminals  
 Isolation class T 40/B  
 Protection IP20

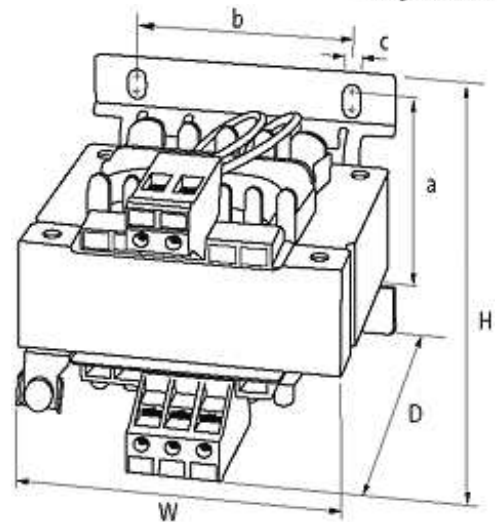
Other voltages on request.

### [Link to Product](#)

#### Illustration



stay connected



Product may differ from Image

### Approvals



### Input

Input voltage	230/400 V AC
Input current	0.32 A (230 V AC); 0.18 A (400 V AC)
Inrush current	2 A (230 V AC); 1.15 A (400 V AC)
Short-circuit current	2.64 A (230 V AC); 1.52 A (400 V AC)
Frequency	50...60 Hz

### General data

Test isolation voltage	4 kV (prim./sec.)
Standards	EN 61558-1, EN 61558-2-4, EN 62041 category 0
Drill hole $\varnothing$	4.8x8.4 mm
Mounting method	Long-hole mounting or DIN-rail mountable TH35 (EN 60715)
Fixing centers a x b x c	56x56x4.8 mm
Dimensions H x W x D	79x78x93 mm
Temperature range	-20...+40 °C, no condensation

### Output

Output voltage	230 V AC
----------------	----------

### Commercial data

country of origin	CZ
customs tariff number	85043180
minimum order quantity	1