

**SUPPRESSOR FOR SIEMENS CONTACTOR S00 MOTOR**

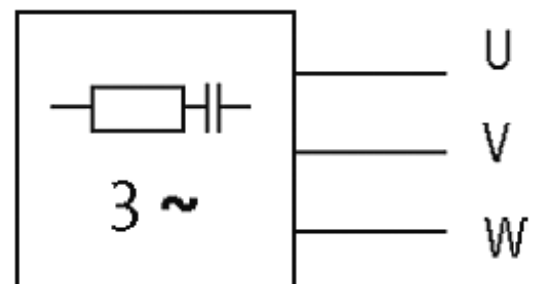
RC, star, 3x575 VAC, 7.5 kW

3 × 400 V AC

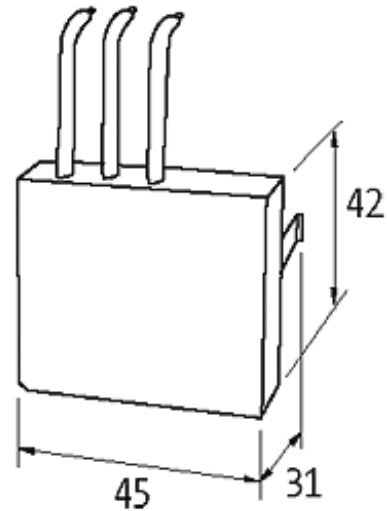
3 × 575 V AC

RC

Suppressors for other voltages, frequencies, and motor ratings available on request. Do not use RC motor suppressors with frequency inverters.

[Link to Product](#)**Illustration**

RC

*stay connected*

Product may differ from Image

### Approvals



### General data

Temperature range	-20...+60 °C
Connection	Connection wires
Mounting method	snap on Siemens Schütz Sirius 3 RT 201 with spring connection
Dimensions H × W × D	42×45×31 mm

### Commercial data

country of origin	CZ
customs tariff number	85363010
minimum order quantity	10