

ROCKWELL ALLEN-BRADLEY CONTACTOR SUPPRESSOR

Diode, 0...240VDC

24...240 V DC

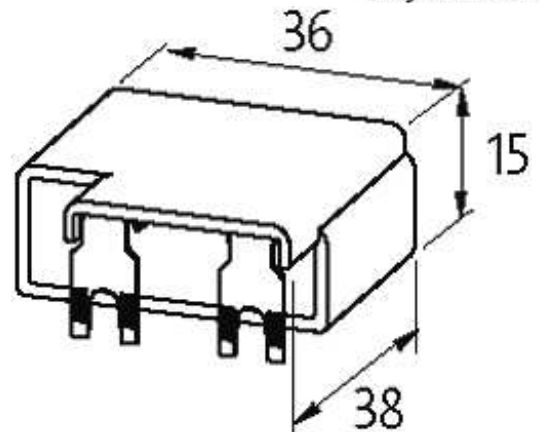
Diode

[Link to Product](#)

Illustration



Diode

stay connected

Product may differ from Image

Approvals



Appropriate contactors

100-C09...C85

General data

Dimensions H × W × D	15×36×38 mm
Temperature range	-20...+70 °C

Technical Data

Damping factor	approx. 1.5 × UN
Material	Flame retardant plastic acc. to (UL 94)
Connection wires	Plug contact

Commercial data

country of origin	CZ
customs tariff number	85363010
minimum order quantity	1