

ROCKWELL ALLEN-BRADLEY CONTACTOR SUPPRESSOR

RC, 24-48VAC/DC

24 V AC/DC

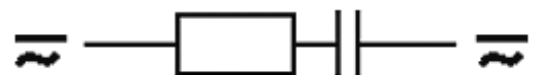
48 V AC/DC

RC

For other configurations and voltages, please inquire

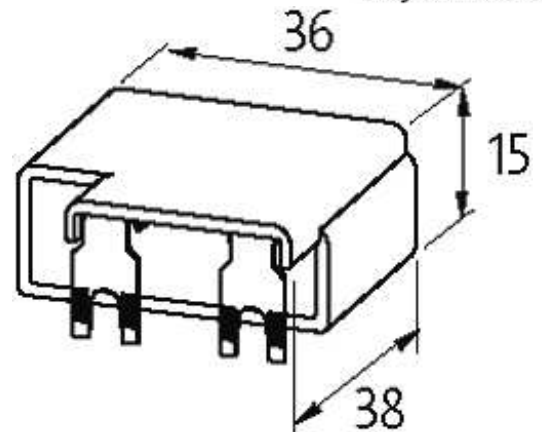
[Link to Product](#)

Illustration



RC

stay connected



Product may differ from Image

Approvals



Appropriate contactors

100-C09...C85

General data

| | |
|----------------------|--------------|
| Dimensions H × W × D | 15×36×38 mm |
| Temperature range | -20...+70 °C |

Technical Data

| | |
|------------------|---|
| Damping factor | approx. 1.5 × UN |
| Material | Flame retardant plastic acc. to (UL 94) |
| Connection wires | Plug contact |

Commercial data

| | |
|------------------------|----------|
| country of origin | CZ |
| customs tariff number | 85363010 |
| minimum order quantity | 1 |