

GENERAL ELECTRIC CONTACTOR SUPPRESSOR

Diode, 0...240VDC

24...240 V DC

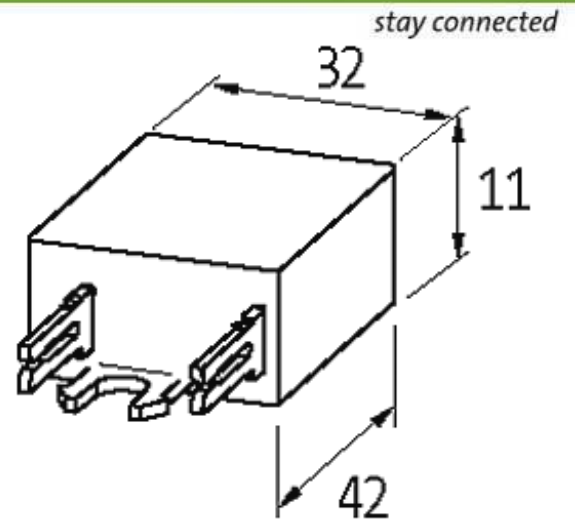
Diode

[Link to Product](#)

Illustration



Diode



Product may differ from Image

Approvals



Appropriate contactors

M

SC-M

CAWM

General data

Dimensions H × W × D 11×42×32 mm

Temperature range -20...+70 °C

Technical Data

Damping factor approx. 1.5 × UN

Material Flame retardant plastic acc. to (UL 94)

Connection wires Plug contact

Commercial data

country of origin CZ

customs tariff number 85363010

minimum order quantity 1