

**GENERAL ELECTRIC CONTACTOR SUPPRESSOR**

RC, 24-48VAC/DC

24 V AC/DC

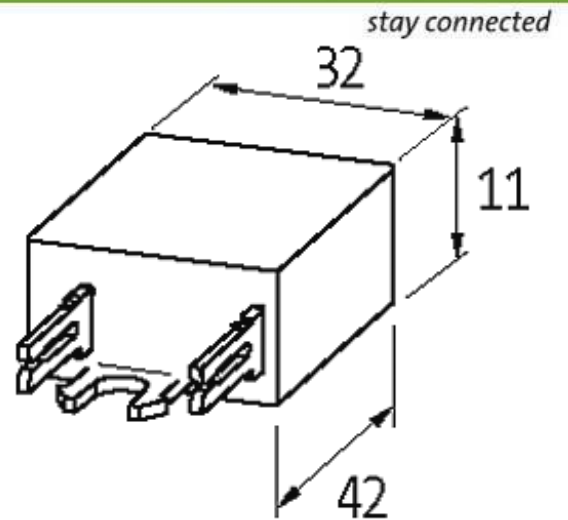
48 V AC/DC

RC

For other configurations and voltages, please inquire

[Link to Product](#)**Illustration**

RC



Product may differ from Image

### Approvals



### Appropriate contactors

M

SC-M

CAWM

### General data

Dimensions H × W × D 11×42×32 mm

Temperature range -20...+70 °C

### Technical Data

Damping factor approx. 1.5 × UN

Material Flame retardant plastic acc. to (UL 94)

Connection wires Plug contact

### Commercial data

country of origin CZ

customs tariff number 85363010

minimum order quantity 1