

## SIEMENS CONTACTOR SUPPRESSOR

Diode and LED, 24VDC

24 V AC/DC

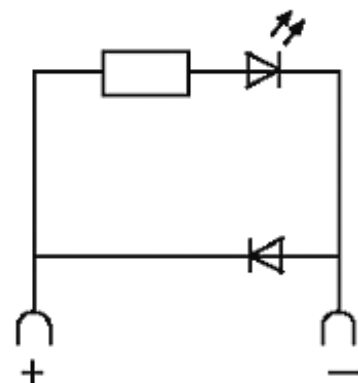
48 V AC/DC

Diode + LED

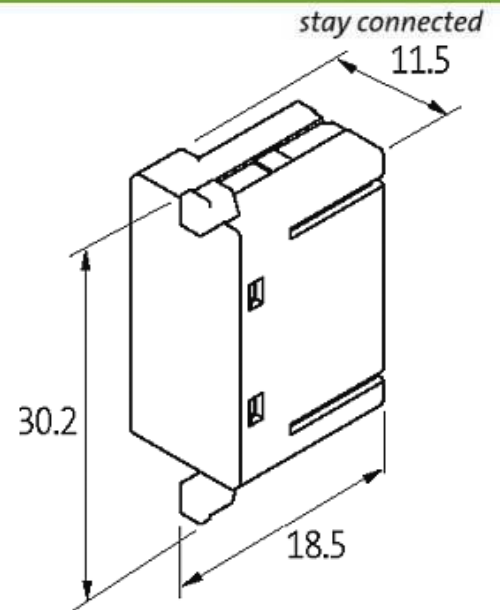
For other configurations and voltages, please inquire

### [Link to Product](#)

#### Illustration



Diode + LED



Product may differ from Image

### Approvals



### Appropriate contactors

3 RT 20.25/26/27/28

### General data

Dimensions H × W × D	18.5×30.2×11.5 mm
Temperature range	-20...+70 °C

### Technical Data

Damping factor	approx. 1.5 × UN
Material	Flame retardant plastic acc. to (UL 94)
Connection wires	Plug contact

### Commercial data

country of origin	CZ
customs tariff number	85363010
minimum order quantity	1