

SIEMENS CONTACTOR SUPPRESSOR

Varistor and LED, 24VAC/DC

24 V AC/DC

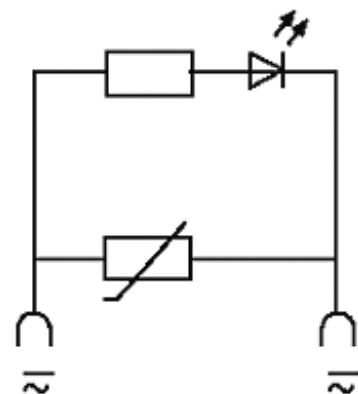
48 V AC/DC

VDR + LED

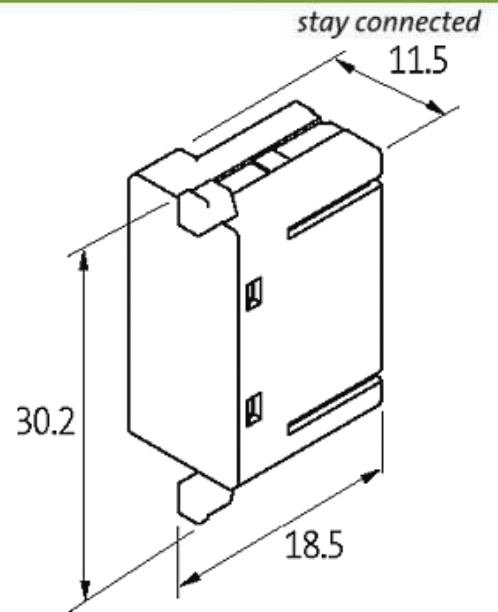
For other configurations and voltages, please inquire

[Link to Product](#)

Illustration



VDR + LED



Product may differ from Image

Approvals



Appropriate contactors

3 RT 20.25/26/27/28

General data

Dimensions H × W × D 18.5×30.2×11.5 mm

Temperature range -20...+70 °C

Technical Data

Damping factor approx. 1.5 × UN

Material Flame retardant plastic acc. to (UL 94)

Connection wires Plug contact

Commercial data

country of origin CZ

customs tariff number 85363010

minimum order quantity 1