

## SIEMENS CONTACTOR SUPPRESSOR

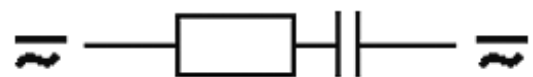
RC, 110VAC/DC

110 V AC/DC  
RC

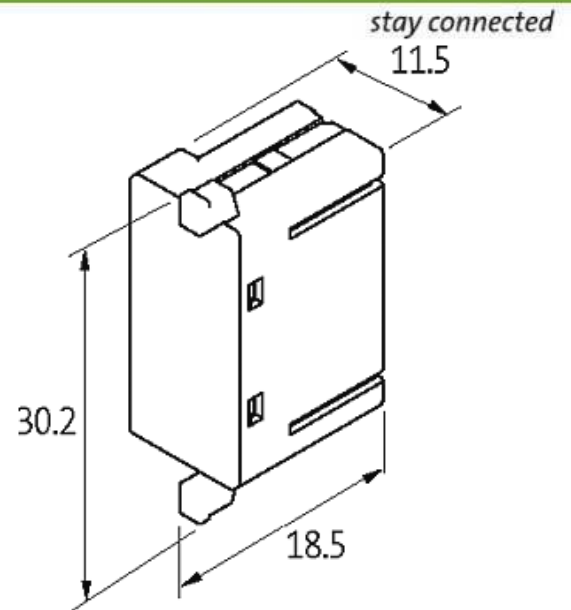
For other configurations and voltages, please inquire

### [Link to Product](#)

#### Illustration



RC



Product may differ from Image

### Approvals



### Appropriate contactors

3 RT 20.25/26/27/28

### General data

Dimensions H × W × D 18.5×30.2×11.5 mm

Temperature range -20...+70 °C

### Technical Data

Damping factor approx. 1.5 × UN

Material Flame retardant plastic acc. to (UL 94)

Connection wires Plug contact

### Commercial data

country of origin CZ

customs tariff number 85363010

minimum order quantity 1