

SIEMENS CONTACTOR SUPPRESSOR

Diode, 0...240VDC

24...240 V DC

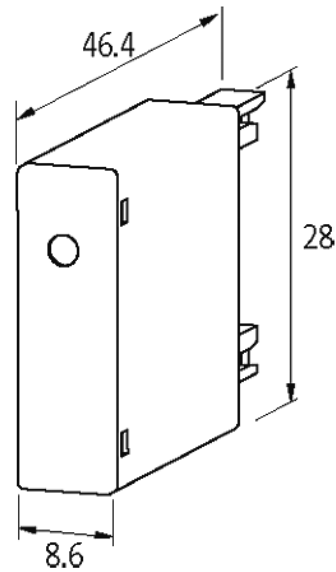
Diode

[Link to Product](#)

Illustration



Diode



Product may differ from Image

Approvals



Appropriate contactors

3 RT 20.15/16/17/18

General data

| | |
|----------------------|----------------|
| Dimensions H × W × D | 46.4×28×8.6 mm |
| Temperature range | -20...+70 °C |

Technical Data

| | |
|------------------|---|
| Damping factor | approx. 1.5 × UN |
| Material | Flame retardant plastic acc. to (UL 94) |
| Connection wires | Plug contact |

Commercial data

| | |
|------------------------|----------|
| country of origin | CZ |
| customs tariff number | 85363010 |
| minimum order quantity | 1 |