

SIEMENS CONTACTOR SUPPRESSOR

Varistor and LED, 24VAC/DC

24 V AC/DC

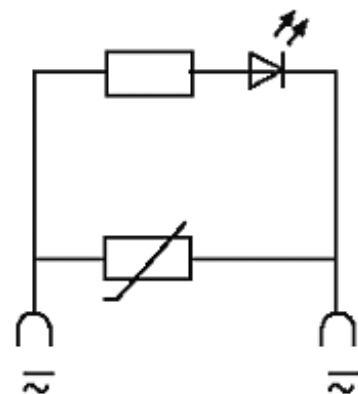
48 V AC/DC

VDR + LED

For other configurations and voltages, please inquire

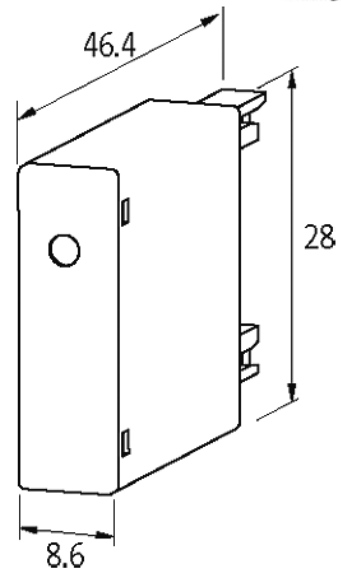
[Link to Product](#)

Illustration



VDR + LED

stay connected



Product may differ from Image

Approvals



Appropriate contactors

3 RT 20.15/16/17/18

General data

Dimensions H x W x D	46.4x28x8.6 mm
Temperature range	-20...+70 °C

Technical Data

Damping factor	approx. 1.5 x UN
Material	Flame retardant plastic acc. to (UL 94)
Connection wires	Plug contact

Commercial data

country of origin	CZ
customs tariff number	85363010
minimum order quantity	1