

TELEMECANIQUE CONTACTOR SUPPRESSOR

RC, 230VAC/DC

230 V AC/DC
RC

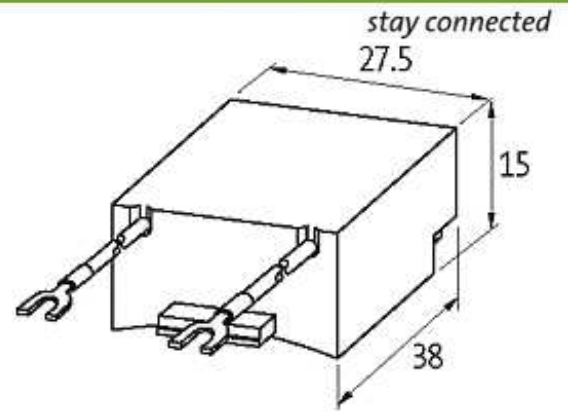
For other configurations and voltages, please inquire

[Link to Product](#)

Illustration



RC



Product may differ from Image

Approvals



Appropriate contactors

LC 1 D09...D38, LC 1 DT20, DT40, LC 2 D09...D38

General data

| | |
|----------------------|---------------|
| Dimensions H × W × D | 15×27.5×38 mm |
| Temperature range | -20...+70 °C |

Technical Data

| | |
|------------------|-----------------------------------------|
| Damping factor | approx. 1.5 × UN |
| Material | Flame retardant plastic acc. to (UL 94) |
| Connection wires | self-securing cable forks |

Commercial data

| | |
|------------------------|----------|
| country of origin | CZ |
| customs tariff number | 85363010 |
| minimum order quantity | 1 |