

**TELEMECANIQUE CONTACTOR SUPPRESSOR**

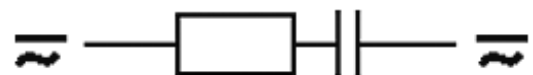
RC, 24-48VAC/DC

24 V AC/DC

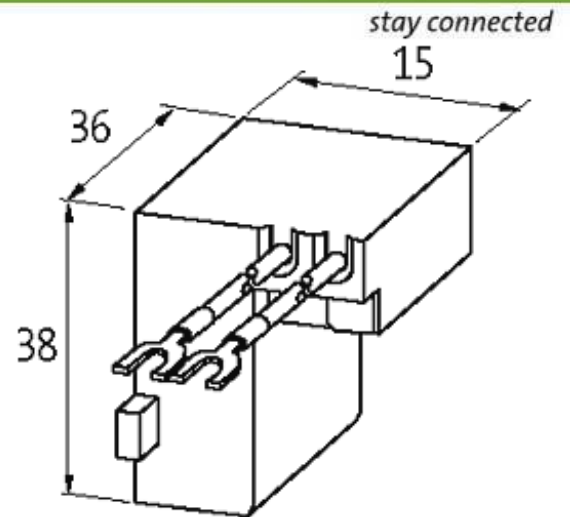
48 V AC/DC

RC

For other configurations and voltages, please inquire

[Link to Product](#)**Illustration**

RC



Product may differ from Image

### Approvals



### Appropriate contactors

LC 1 D09...D38, LC 1 DT20, DT40, LC 2 D09...D38

### General data

|                      |              |
|----------------------|--------------|
| Dimensions H x W x D | 15x36x38 mm  |
| Temperature range    | -20...+70 °C |

### Technical Data

|                  |   |
|------------------|---|
| Damping factor   | approx. 1.5 x UN                        |
| Material         | Flame retardant plastic acc. to (UL 94) |
| Connection wires | self-securing cable forks               |

### Commercial data

|                        |          |
|------------------------|----------|
| country of origin      | CZ       |
| customs tariff number  | 85363010 |
| minimum order quantity | 1        |