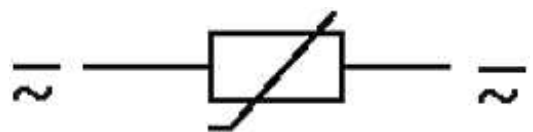


**TELEMECANIQUE CONTACTOR SUPPRESSOR**

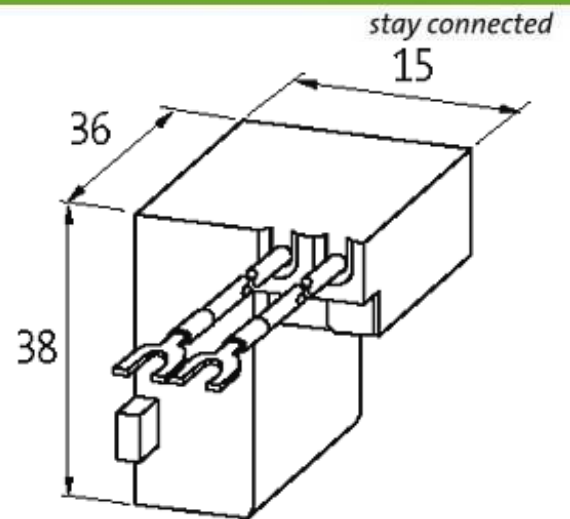
Varistor, 400VAC/DC

400 V AC/DC  
VDR

For other configurations and voltages, please inquire

[Link to Product](#)**Illustration**

VDR



Product may differ from Image

### Approvals



### Appropriate contactors

LC 1 D09...D38, LC 1 DT20, DT40, LC 2 D09...D38

### General data

Dimensions H × W × D	15×36×38 mm
Temperature range	-20...+70 °C

### Technical Data

Damping factor	approx. 1.5 × UN
Material	Flame retardant plastic acc. to (UL 94)
Connection wires	self-securing cable forks

### Commercial data

country of origin	CZ
customs tariff number	85363010
minimum order quantity	1