

## MODLINK MSDD FRAME SINGLE METAL

Black

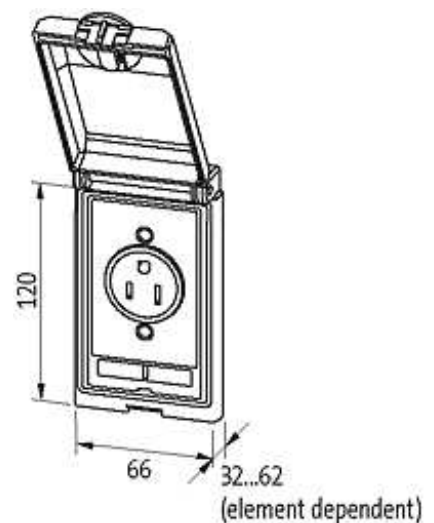
Frame: metal, black KTL

Lid: metal, black KTL

KTL stands for “cataphoretic immersion painting” and ensures that the product is given long-lasting protection from scratching and corrosion

### [Link to Product](#)

#### Illustration



Product may differ from Image

#### Approvals



### General data

Dimensions H x W x D 120x65x38 mm

### Frame

suitable for mounting with wall thickness 1...5 mm

Protection IP65

Housing Zinc die-casting, KTL coated

Temperature range -10...+60 °C (storage temperature -25...+60 °C)

### Commercial data

country of origin DE

customs tariff number 85389099

minimum order quantity 1