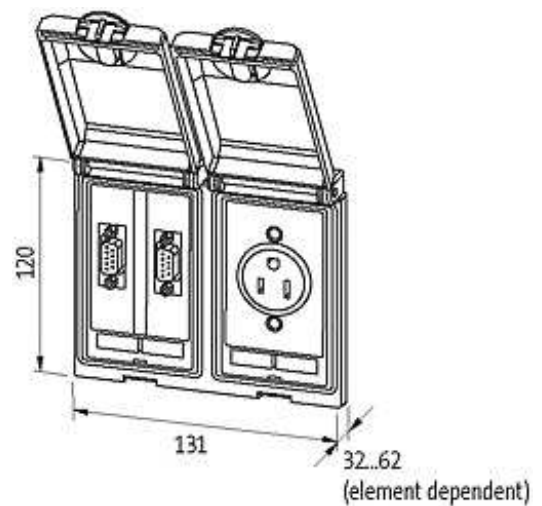


MODLINK MSDD FRAME DBL METAL

Nickeled

Frame: metal, matte nickel plated

Lid: metal, matte nickel plated

[Link to Product](#)**Illustration**

Product may differ from Image

Approvals



General data

Dimensions H x W x D 120x130x35 mm

Frame

suitable for mounting with wall thickness 1...5 mm

Protection IP65

Housing Zinc die-casting, with surface finishing

Temperature range -10...+60 °C (storage temperature -25...+60 °C)

Shielded yes

Commercial data

country of origin DE

customs tariff number 85366990

minimum order quantity 1