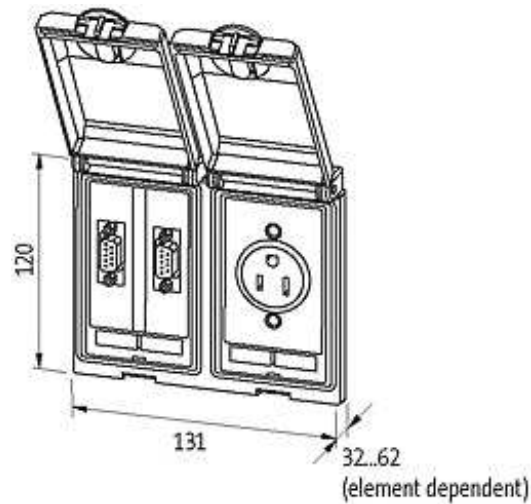


Modlink MSDD-set: Frame 4000-68123-0000000,
insert 4000-68000-0010000 + 4000-68000-0010000

[Link to Product](#)

Illustration





Product may differ from Image

Inserts

4000-68123-0000000

4000-68000-0010000

4000-68000-0010000

General data

Mounting depth mounted approx. 62 mm

Sockets

Operating voltage max. 250 V AC

Operating current max. 16 A

Connection Screw terminals: max. 6 mm²

Commercial data

country of origin CZ

customs tariff number 85389099

minimum order quantity 1

