

MODLINK MSDD FRAME DBL METAL

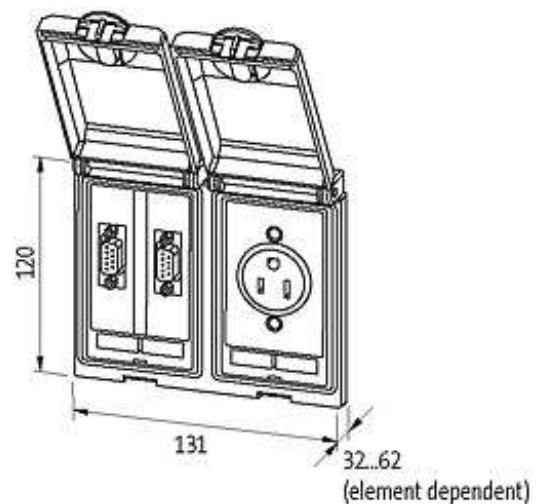
Nickeled/transparent

Frame: metal, matte nickel plated

Lid: plastic, transparent

[Link to Product](#)

Illustration



Product may differ from Image

General data

Dimensions H × W × D 120×130×35 mm

Frame

suitable for mounting with wall thickness 1...5 mm

Protection IP65

Housing	Zinc die-casting, with surface finishing
Temperature range	-10...+60 °C (storage temperature -25...+60 °C)
Shielded	yes, only with shielded inserts

Commercial data

country of origin	DE
customs tariff number	85389099
minimum order quantity	1