

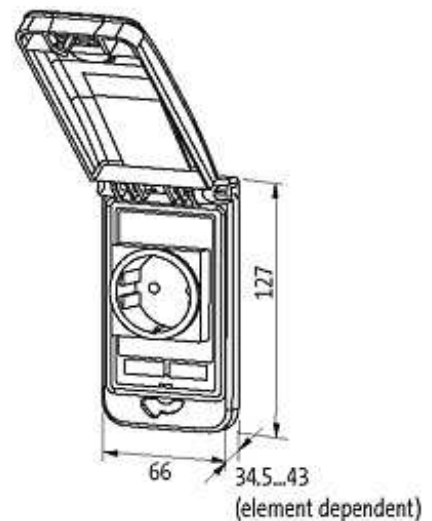
**MODLINK MSDD FRAME SINGLE TRANSPARENT**

Closure 3 mm double bit incl. pluggable knob

Mounting frame plastic PBT black

Lid: plastic, PC transparent

Closure: 3 mm double bit  
with attachable rotation knob

[Link to Product](#)**Illustration**

Product may differ from Image

**Approvals**


**General data**

Dimensions H x W x D 127x66x43 mm

**Frame**

suitable for mounting with wall thickness 1...5 mm

Protection IP65

Housing Mounting frame plastic PBT black, cap plastic PC transparent

Temperature range -30...+70 °C (storage temperature -30...+80 °C)

**Commercial data**

country of origin CZ

customs tariff number 85389099

minimum order quantity 1