

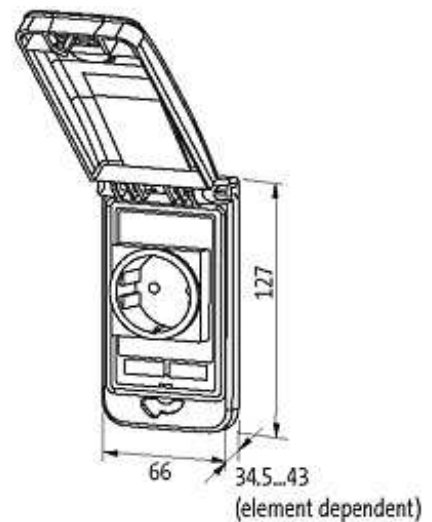
MODLINK MSDD FRAME SINGLE TRANSPARENT

Closure Daimler

Mounting frame plastic PBT black

Lid: plastic, PC transparent

Closure: Daimler

[Link to Product](#)**Illustration**

Product may differ from Image

General data

Dimensions H × W × D

127×66×43 mm

Frame

suitable for mounting with wall thickness	1...5 mm
Protection	IP65
Housing	Mounting frame plastic PBT black, cap plastic PC transparent
Temperature range	-30...+70 °C (storage temperature -30...+80 °C)

Commercial data

country of origin	CZ
customs tariff number	85389099
minimum order quantity	1