

MODLINK MSDD FRAME DBL TRANSPARENT

Closure 3 mm double bit incl. pluggable knob

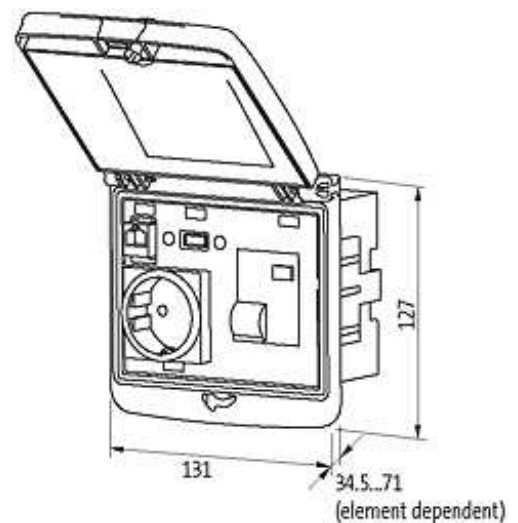
Mounting frame plastic PBT black

Lid: plastic, PC transparent

Closure: 3 mm double bit
with attachable rotation knob

[Link to Product](#)

Illustration



Product may differ from Image

Approvals



General data

Dimensions H x W x D 127x131x43 mm

Frame

suitable for mounting with wall thickness 1...5 mm

Protection IP65

Housing Mounting frame plastic PBT black, cap plastic PC transparent

Temperature range -30...+70 °C (storage temperature -30...+80 °C)

Commercial data

country of origin CZ

customs tariff number 85389099

minimum order quantity 1