

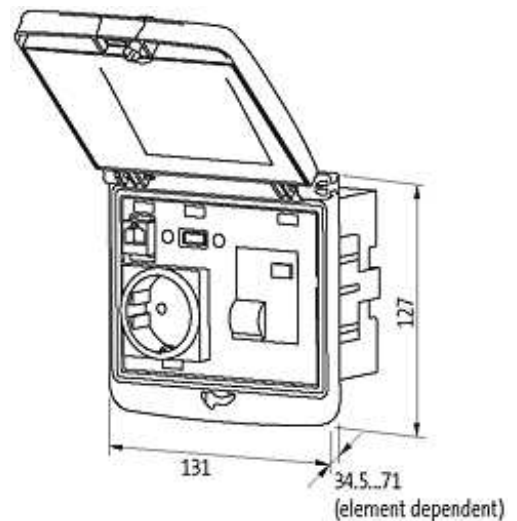
**MODLINK MSDD FRAME DBL METALIC**

Closure 3 mm double bit incl. pluggable knob

Mounting frame plastic PBT black

Lid: plastic, ABS gray

Closure: 3 mm double bit  
with attachable rotation knob

[Link to Product](#)**Illustration**

Product may differ from Image

**Approvals**



### General data

Dimensions H x W x D 127x131x43 mm

### Frame

suitable for mounting with wall thickness 1...5 mm

Protection IP65

Housing Mounting frame plastic PA black, cap plastic ABS metallic

Temperature range -30...+70 °C (storage temperature -30...+80 °C)

### Commercial data

country of origin DE

customs tariff number 85389099

minimum order quantity 1