

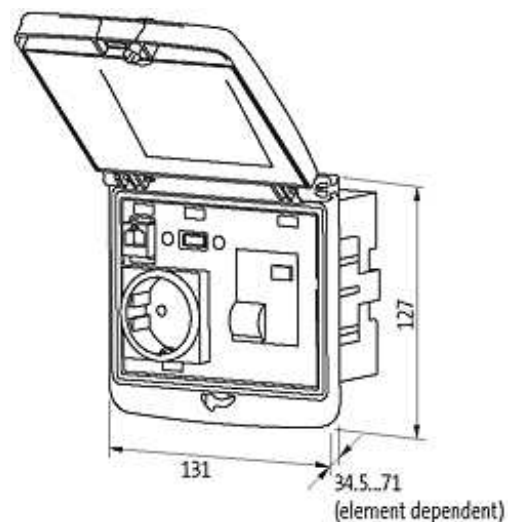
MODLINK MSDD FRAME DBL METALIC

Closure Daimler

Mounting frame plastic PBT black

Lid: plastic, ABS gray

Closure: Daimler

[Link to Product](#)**Illustration**

Product may differ from Image

General data

Dimensions H × W × D

127×131×43 mm

Frame

suitable for mounting with wall thickness	1...5 mm
Protection	IP65
Housing	Mounting frame plastic PA black, cap plastic ABS metallic
Temperature range	-30...+70 °C (storage temperature -30...+80 °C)

Commercial data

country of origin	DE
customs tariff number	85389099
minimum order quantity	1