

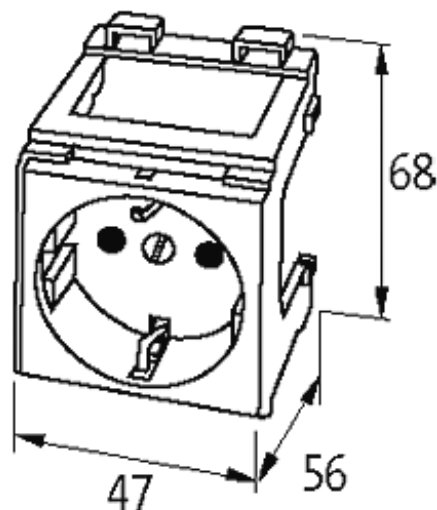
## MODLINK MSVD CABINET POWER OUTLETS

NEMA5-15/USA 125V AC / 15 A, screw terminals

USA (NEMA 5-15) white  
Screw terminals

### [Link to Product](#)

#### Illustration



Product may differ from Image

#### General data

Mounting method	DIN-rail mountable (EN 60715)
Connection	Screw terminals: max. $2 \times 2.5 \text{ mm}^2$ (AWG 14)
Dimensions H x W x D	68x47x56 mm

**Technical Data**

Operating voltage	max. 125 V AC
Operating current	max. 15 A

**Commercial data**

country of origin	FR
customs tariff number	85366990
minimum order quantity	1