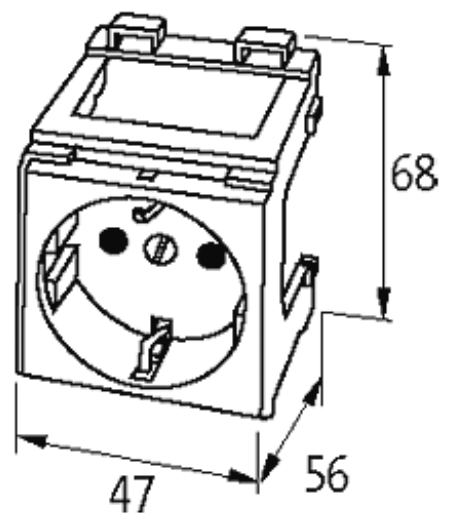


MODLINK MSVD CABINET POWER OUTLETS

VDE orange 250V AC / 16 A

Germany (VDE) orange
for installing in front of main switch
Screw terminals

[Link to Product](#)**Illustration**

Product may differ from Image

Approvals

VDE

General data

The information in this brochure has been compiled with the utmost care.

Liability for the correctness completeness and topicality of the information is restricted to gross negligence. Version: 05/16

Murrelektronik GmbH | Falkenstraße 3, 71570 Oppenweiler | Fon +49 (71 91) 47-0, Fax +49 (71 91) 47-491000 | shop@murrelektronik.com | shop.murrelektronik.com

Mounting method	DIN-rail mountable (EN 60715)
Connection	Screw terminals: max. 2 × 2.5 mm ² (AWG 14)
Dimensions H × W × D	68×47×56 mm

Technical Data

Operating voltage	max. 250 V AC
Operating current	max. 16 A

Commercial data

country of origin	HU
customs tariff number	85366990
minimum order quantity	1