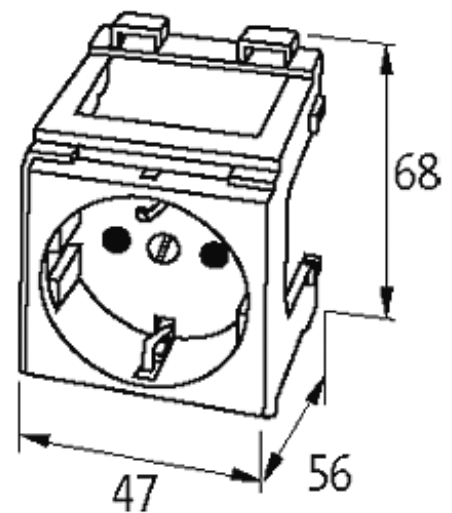


**MODLINK MSVD CABINET POWER OUTLETS**

VDE 250V AC / 16 A, spring clamp terminals

Germany (VDE) white  
Spring clamp terminals[Link to Product](#)**Illustration**

Product may differ from Image

**Approvals**

VDE

**General data**

Connection	Spring clamp terminals: max. 2 × 2.5 mm <sup>2</sup> (AWG 14)
Mounting method	DIN-rail mountable (EN 60715)
Dimensions H × W × D	68×47×56 mm

**Technical Data**

Operating voltage	max. 250 V AC
Operating current	max. 16 A

**Commercial data**

country of origin	DE
customs tariff number	85366990
minimum order quantity	1