

M8 female 90° with cable LED

PUR 3x0.25 bk UL/CSA+drag chain 1m

M8

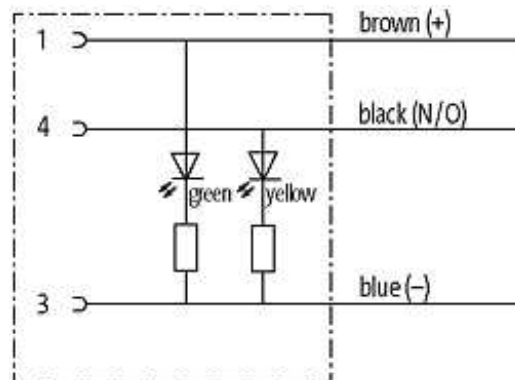
Female 90°

3-pole with 2 × LED (PNP)

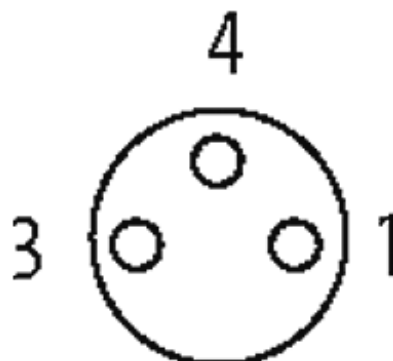
Plastic housings with good resistance against chemicals and oils. The resistance to aggressive media should be individually tested for your application. Further details on request. Further cable lengths on request.

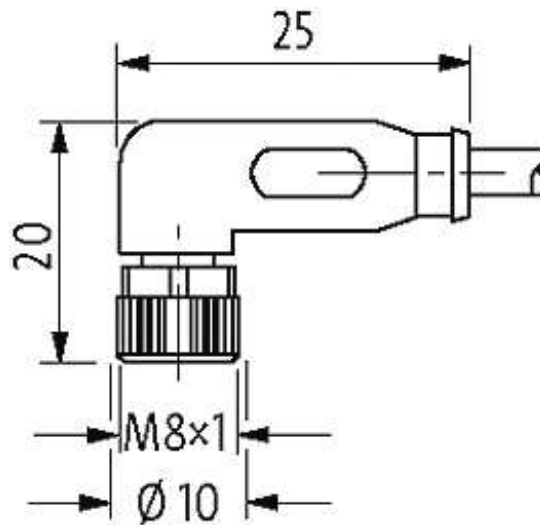
[Link to Product](#)

Illustration



Female





Product may differ from Image

Approvals



* only for products with UL/CSA approved cable

Form

Form 08121

Cables

| | |
|-----------------------------|--------------------------|
| Cable number | 630 |
| No./diameter of wires | 3 × 0.25 mm ² |
| Wire isolation | PP (br, bl, bk) |
| C-track properties | 5 Mio. |
| Torsion | 2 Mio. ± 180°/m |
| Jacket Color | black |
| Shore hardness outer jacket | 90 ± 5A |
| Material (jacket) | PUR (UL/CSA) |
| Outer Ø | approx. 4.3 mm |
| Bend radius (fixed) | 5 × outer Ø |
| Bend radius (moving) | 10 × outer Ø |
| Temperature range (fixed) | -40...+80 °C |
| Temperature range (mobile) | -25...+80 °C |

General data

Temperature range -25...+85 °C, depending on cable quality

Technical Data

| | |
|-------------------------------|---|
| Operating voltage | 24 V DC \pm 25 % |
| Operating current per contact | max. 4 A |
| LED display | LED (green): Power / LED (yellow): (S1) |
| Locking of ports | Screw thread M8 \times 1 mm (recommended torque 0.4 Nm) self-securing |
| Compression gland | M8 (0.4 Nm, AF9) |
| Protection | IP66K, IP67 inserted and tightened (EN 60529) |
| Locking material | Zinc die casting, matte nickel plated |
| Material | PUR |

Commercial data

| | |
|------------------------|----------|
| country of origin | DE |
| customs tariff number | 85444290 |
| minimum order quantity | 1 |