

**M12 male 0° with cable**

PVC 5x0.34 bk UL/CSA 60m

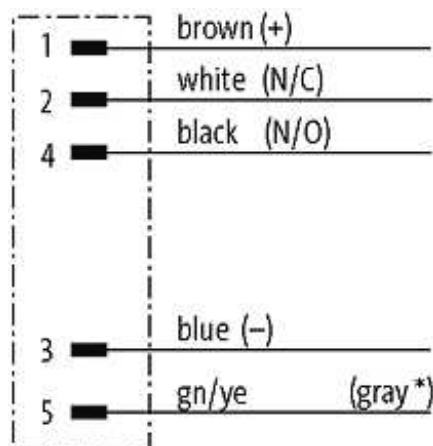
M12

Male straight

5-pole

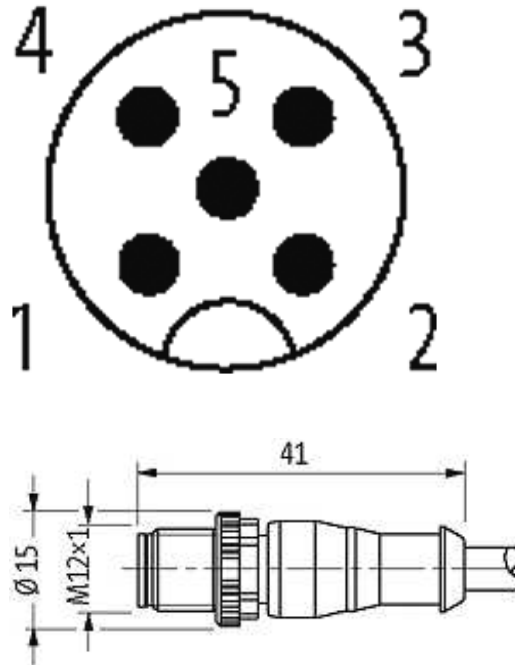
Art.-No. 7005 - M12 Lite - (plastic hexagonal screw) on request

Plastic housings with good resistance against chemicals and oils. The resistance to aggressive media should be individually tested for your application. Further details on request. Further cable lengths on request.

**[Link to Product](#)****Illustration**

(\* for cable type 126, 732, 219, 619)

# Male



Product may differ from Image

## Approvals



\* only for products with UL/CSA approved cable

## Form

Form 12041

## Cables

Cable number	615
No./diameter of wires	5 × 0.34 mm <sup>2</sup>
Wire isolation	PVC (br, wh, bl, bk, gnye)
Jacket Color	black
Shore hardness outer jacket	85 ± 5A
Material (jacket)	PVC (UL/CSA)
Outer Ø	approx. 5.2 mm
Bend radius (fixed)	5 × outer Ø
Bend radius (moving)	10 × outer Ø
Temperature range (fixed)	-30...+80 °C

Temperature range (mobile)	-5...+80 °C
----------------------------	-------------

#### General data

Temperature range	-25...+85 °C, depending on cable quality
-------------------	--

#### Technical Data

Operating voltage	max. 125 V AC/DC
-------------------	------------------

Operating voltage (only UL listed)	max. 30 V AC/DC
------------------------------------	-----------------

Operating current per contact	max. 4 A
-------------------------------	----------

Locking of ports	Screw thread M12 × 1 mm (recommended torque 0.6 Nm) self-securing
------------------	---

Locking material	Zinc die casting, matte nickel plated
------------------	---------------------------------------

Protection	IP66K, IP67 inserted and tightened (EN 60529)
------------	---

#### Commercial data

country of origin	CZ
-------------------	----

customs tariff number	85444290
-----------------------	----------

minimum order quantity	1
------------------------	---