

**M12 FEMALE 0°**

PUR 5X0.34 black UL/CSA, drag ch 35m

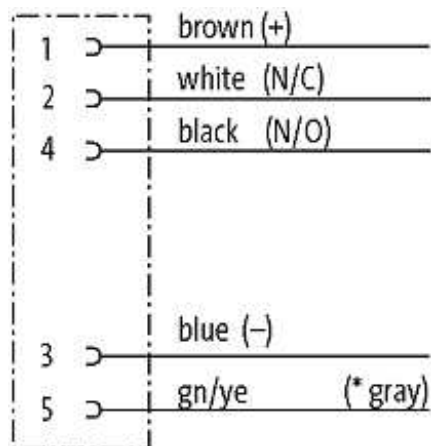
M12

Female straight

5-pole

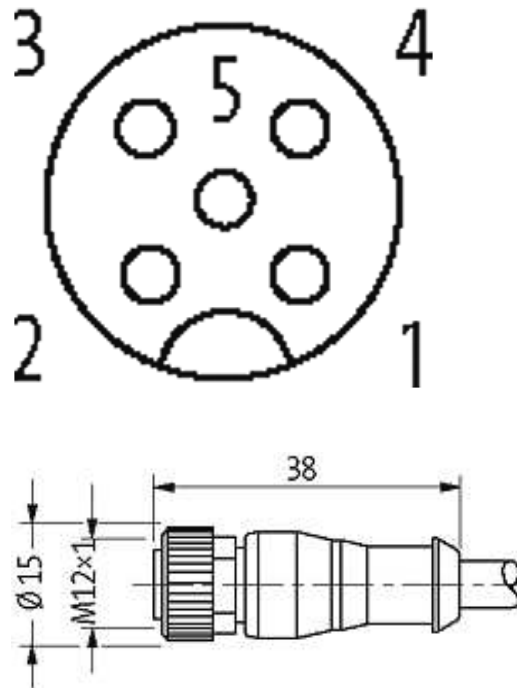
Art.-No. 7005 - M12 Lite - (plastic hexagonal screw) on request

Plastic housings with good resistance against chemicals and oils. The resistance to aggressive media should be individually tested for your application. Further details on request. Further cable lengths on request.

[Link to Product](#)**Illustration**

(\* for cable type 126, 732, 219, 619)

# Female



Product may differ from Image

## Approvals



\* only for products with UL/CSA approved cable

## Form

Form 12241

## Cables

|                             |                           |
|-----------------------------|---------------------------|
| Cable number                | 635                       |
| No./diameter of wires       | 5 × 0.34 mm <sup>2</sup>  |
| Wire isolation              | PP (br, wh, bl, bk, gnye) |
| C-track properties          | 5 Mio.                    |
| Torsion                     | 2 Mio. ± 180°/m           |
| Jacket Color                | black                     |
| Shore hardness outer jacket | 90 ± 5A                   |
| Material (jacket)           | PUR (UL/CSA)              |
| Outer Ø                     | approx. 5.0 mm            |
| Bend radius (fixed)         | 5 × outer Ø               |

|                            |              |
|----------------------------|--------------|
| Bend radius (moving)       | 10 × outer Ø |
| Temperature range (fixed)  | -40...+80 °C |
| Temperature range (mobile) | -25...+80 °C |

**General data**

|                   |  |
|-------------------|--|
| Temperature range | -25...+85 °C, depending on cable quality |
|-------------------|--|

**Technical Data**

|                               |   |
|-------------------------------|---|
| Operating voltage             | max. 125 V AC/DC  |
| Operating current per contact | max. 4 A  |
| Locking of ports              | Screw thread M12 × 1 mm (recommended torque 0.6 Nm) self-securing |
| Protection                    | IP66K, IP67 inserted and tightened (EN 60529)                     |

**Commercial data**

|                        |          |
|------------------------|----------|
| country of origin      | CZ       |
| customs tariff number  | 85444290 |
| minimum order quantity | 1        |