

## M12 FEMALE 0° LED

PVC 3X0.34 YELLOW, UL/CSA 1.5m

M12

Female straight

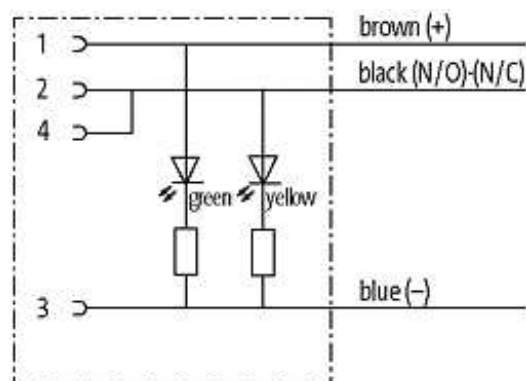
4-pole with 2 × LED (PNP)

Art.-No. 7005 - M12 Lite - (plastic hexagonal screw) on request

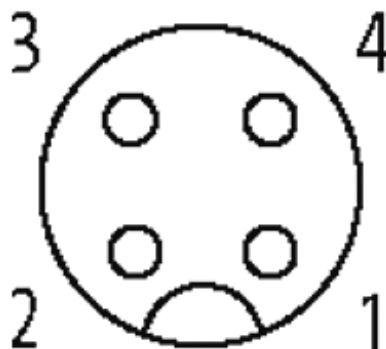
Plastic housings with good resistance against chemicals and oils. The resistance to aggressive media should be individually tested for your application. Further details on request. Further cable lengths on request.

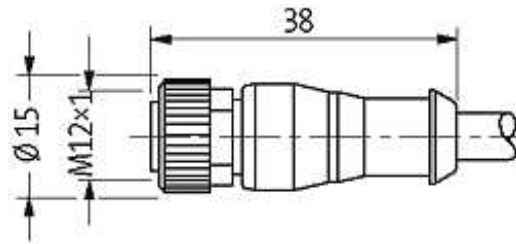
### [Link to Product](#)

#### Illustration



Female





Product may differ from Image

### Approvals



\* only for products with UL/CSA approved cable

### Form

Form 12281

### Cables

|                             |                                |
|-----------------------------|--------------------------------|
| Cable number                | 013                            |
| No./diameter of wires       | 3 × 0.34 mm <sup>2</sup>       |
| Wire isolation              | PVC (br, bl, bk)               |
| Jacket Color                | yellow                         |
| Shore hardness outer jacket | 85 ± 5A                        |
| Material (jacket)           | PVC (UL/CSA)                   |
| Material (wire)             | Cu (blanc), Class 5 (IEC60228) |
| Outer Ø                     | approx. 4.6 mm                 |
| Bend radius (fixed)         | 5 × outer Ø                    |
| Bend radius (moving)        | 10 × outer Ø                   |
| Temperature range (fixed)   | -30...+80 °C                   |
| Temperature range (mobile)  | -5...+80 °C                    |

### General data

Temperature range -25...+85 °C, depending on cable quality

### Technical Data

|                               |   |
|-------------------------------|---|
| Operating voltage             | 24 V DC ±25 %   |
| Operating current per contact | max. 4 A  |
| Locking of ports              | Screw thread M12 × 1 mm (recommended torque 0.6 Nm) self-securing |
| Protection                    | IP66K, IP67 inserted and tightened (EN 60529)                     |

### Commercial data

|                       |          |
|-----------------------|----------|
| country of origin     | DE       |
| customs tariff number | 85444290 |

minimum order quantity

1