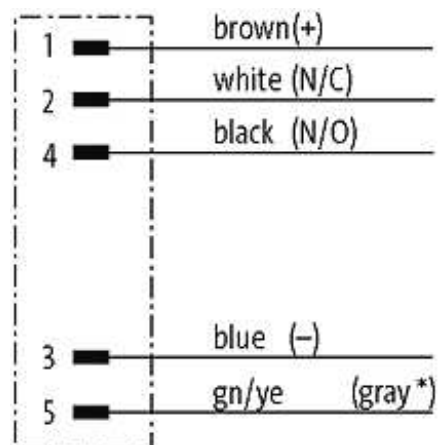


M12 MALE FLANGE PLUG A CODED FRONT MOUNT

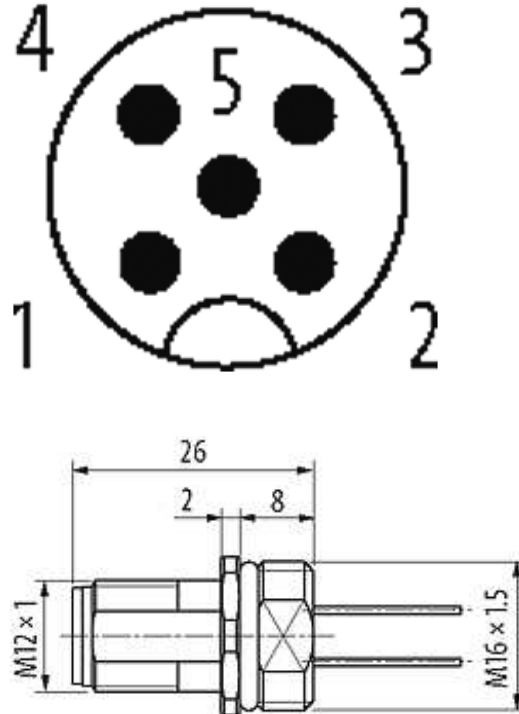
PVC-wires 5X0.34 0.2m

Flange M12 male
5-pole
Front mounting
with multi-strand wire

[Link to Product](#)**Illustration**

(* for cable type 902 and 972)

Male



Product may differ from Image

Form

Form 13521

Cables

Cable number	902
No./diameter of wires	5 × 0.34 mm ²
Wire isolation	PVC (br, wh, bl, bk, gr)
Shore hardness outer jacket	85 ± 5A
Outer Ø	approx. 1.4 mm
Bend radius (fixed)	5 × outer Ø
Bend radius (moving)	10 × outer Ø
Temperature range (fixed)	-30...+70 °C
Temperature range (mobile)	-5...+70 °C

General data

Temperature range -25...+85 °C

Technical Data

Operating voltage	max. 125 V AC/DC
Operating current per contact	max. 4 A
Locking of ports	Screw thread M12 × 1 mm (recommended torque 0.6 Nm) self-securing

Protection IP66K, IP67 inserted and tightened (EN 60529)

Commercial data

country of origin	DE
customs tariff number	85444290
minimum order quantity	1