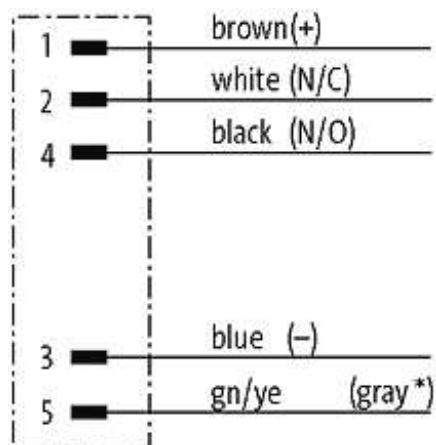


M12 MALE FLANGE PLUG A CODED FRONT MOUNT

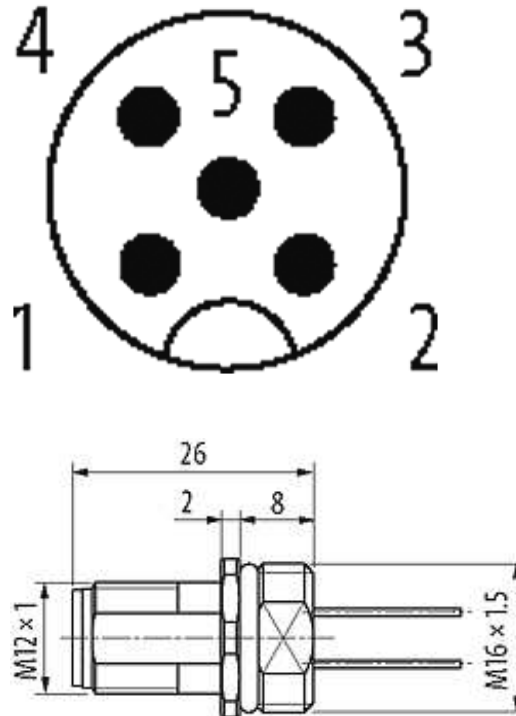
PVC-wires 5X0.34 0.5m

Flange M12 male
5-pole
Front mounting
with multi-strand wire

[Link to Product](#)**Illustration**

(* for cable type 902 and 972)

Male



Product may differ from Image

Form

Form 13521

Cables

| | |
|-----------------------------|--------------------------|
| Cable number | 902 |
| No./diameter of wires | 5 × 0.34 mm ² |
| Wire isolation | PVC (br, wh, bl, bk, gr) |
| Shore hardness outer jacket | 85 ± 5A |
| Outer Ø | approx. 1.4 mm |
| Bend radius (fixed) | 5 × outer Ø |
| Bend radius (moving) | 10 × outer Ø |
| Temperature range (fixed) | -30...+70 °C |
| Temperature range (mobile) | -5...+70 °C |

General data

Temperature range -25...+85 °C

Technical Data

| | |
|-------------------------------|---|
| Operating voltage | max. 125 V AC/DC |
| Operating current per contact | max. 4 A |
| Locking of ports | Screw thread M12 × 1 mm (recommended torque 0.6 Nm) self-securing |

Protection IP66K, IP67 inserted and tightened (EN 60529)

Commercial data

| | |
|------------------------|----------|
| country of origin | DE |
| customs tariff number | 85444290 |
| minimum order quantity | 1 |