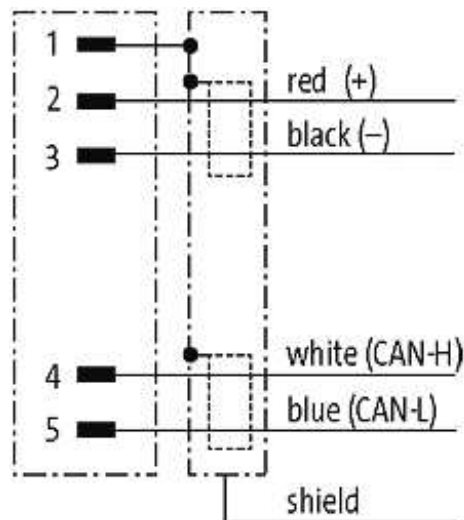


**M12 male receptacle rear mount DeviceNet**

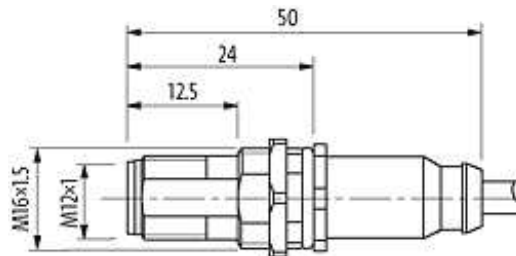
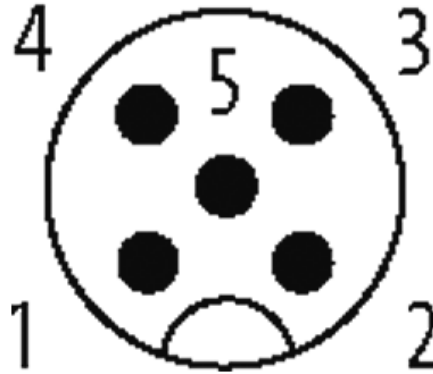
PUR AWG24+22 shielded vt UL/CSA+drag ch. 7,5m

Flange M12 male  
With open ended wires  
5-pole  
DeviceNet, CANopen  
Rear mounting  
Mounting nut

Further cable lengths on request. Plastic housings with good resistance against chemicals and oils. The resistance to aggressive media should be individually tested for your application. Further details on request.

**[Link to Product](#)****Illustration**

# Male



Product may differ from Image

## More Info



## Form

Form 13531

## Cables

Cable number	803
No./diameter of wires	2×0.25 + 2×0.34 mm <sup>2</sup>
Wire isolation	PE (rd, bk), (bl, wh)
C-track properties	5 Mio.
Jacket Color	violet
Shore hardness outer jacket	90 ± 5A
Material (jacket)	PUR (UL/CSA)
Outer Ø	approx. 6.9 mm
Bend radius (fixed)	8 × outer Ø
Bend radius (moving)	12 × outer Ø
Temperature range (fixed)	-40...+80 °C
Temperature range (mobile)	-20...+60 °C

The information in this brochure has been compiled with the utmost care.

Liability for the correctness completeness and topicality of the information is restricted to gross negligence. Version: 05/16

---

Shielded	yes
----------	-----

**Technical Data**

---

Operating voltage	max. 125 V AC/DC
-------------------	------------------

---

Operating current per contact	max. 4 A
-------------------------------	----------

---

Locking of ports	Screw thread M12 × 1 mm (recommended torque 0.6 Nm) self-securing
------------------	---

---

Protection	IP66K, IP67 inserted and tightened (EN 60529)
------------	---

---

Locking material	CuZn, nickel plated
------------------	---------------------

**Commercial data**

---

country of origin	DE
-------------------	----

---

customs tariff number	85444290
-----------------------	----------

---

minimum order quantity	1
------------------------	---