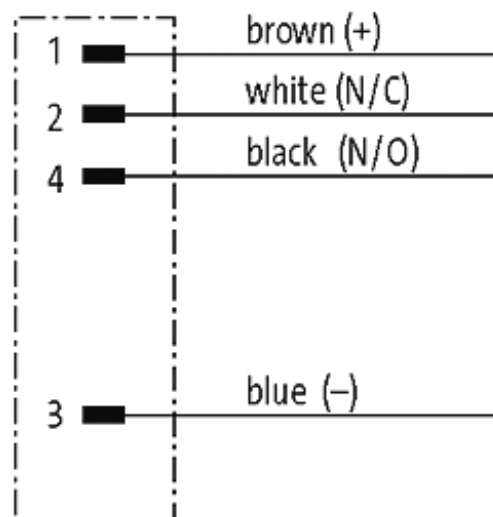


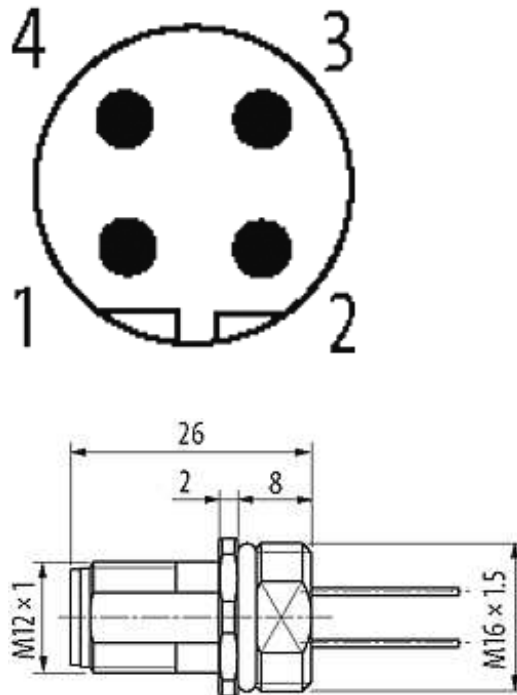
**M12 MALE FLANGE PLUG B CODED 1-2-3-4**

Wire 4X0.34 0.2m

Flange M12 male  
B-coded, 4-pole  
Front mounting  
with multi-strand wire

[Link to Product](#)**Illustration**

# Male



Product may differ from Image

## Form

Form 14101

## Cables

Cable number	974
No./diameter of wires	4 × 0.34 mm <sup>2</sup>
Wire isolation	PP (br, wh, bl, bk)
Shore hardness outer jacket	70 ± 5D
Outer Ø	approx. 1.25 mm
Bend radius (fixed)	5 × outer Ø
Bend radius (moving)	10 × outer Ø
Temperature range (fixed)	-40...+80 °C
Temperature range (mobile)	-25...+80 °C

## Technical Data

Operating voltage	max. 250 V AC/DC
Operating current per contact	max. 4 A
Locking of ports	Screw thread M12 × 1 mm (recommended torque 0.6 Nm) self-securing
Protection	IP66K, IP67 inserted and tightened (EN 60529)

## Commercial data

country of origin DE

customs tariff number	85444290
minimum order quantity	1

---