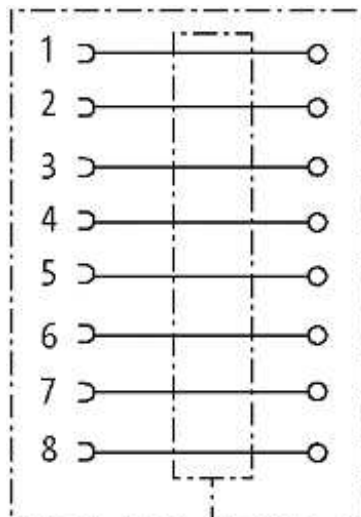
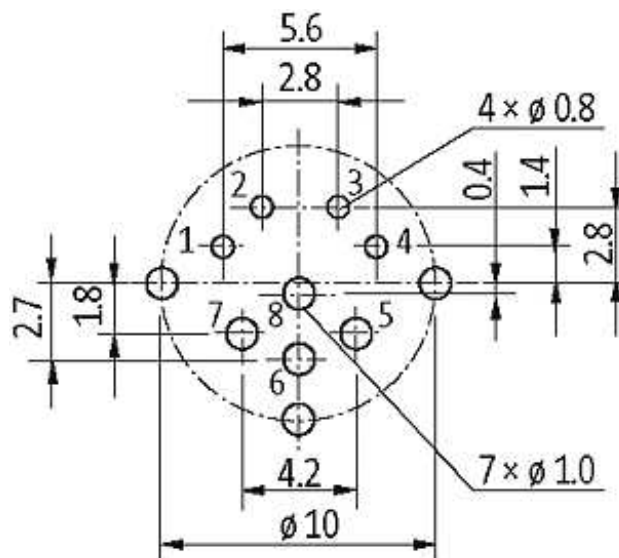
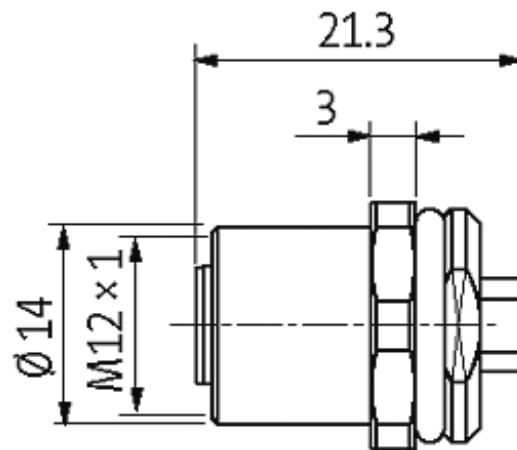
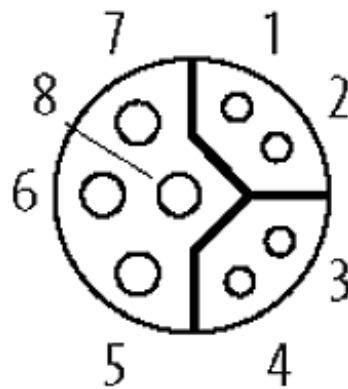


M12 female receptacle 0° Y-cod. solder terminal

Flange M12 female
Mounting nut
Y-coded, 8-pole
straight
Solder connection
Front mounting

[Link to Product](#)**Illustration**

Female



Product may differ from Image

More Info



Form

Form 15701

General data

Temperature range -40...+85 °C

Technical Data

Operating voltage max. 30 V DC

Operating current per contact 0.5 A (Data), 6 A (Power)

Transfer parameters CAT5, class D (ISO/IEC 11801:2002), (EN 50173-1)

Transfer rate to 100 Mbit/s Full Duplex

Locking of ports Screw thread M12 × 1 mm (recommended torque 0.6 Nm) self-securing

Protection IP67 inserted and tightened (EN 60529)

Locking material Zinc die casting, matte nickel plated

Commercial data

country of origin DE

customs tariff number 85369010

minimum order quantity 1