

**M12 MALE FLANGE PLUG A CODED FRONT MOUNT**

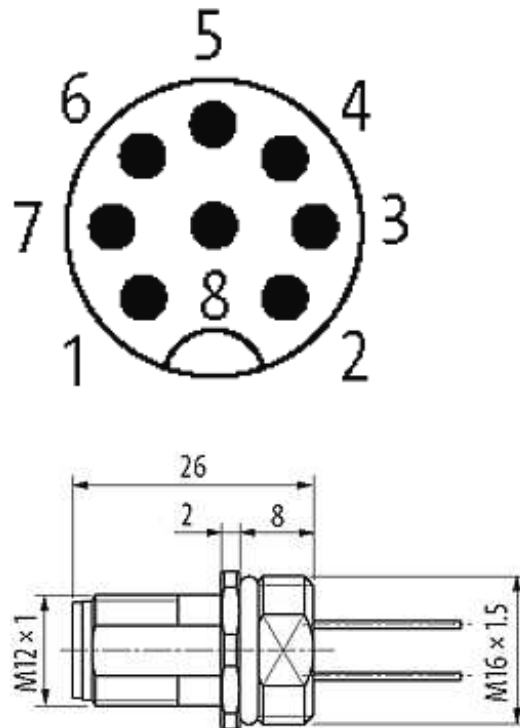
PVC-wires 8x0,25 0.2m

Flange M12 male  
8-pole  
Front mounting  
with multi-strand wire

[Link to Product](#)**Illustration**

1	white
2	brown
3	green
4	yellow
5	gray
6	pink
7	blue
8	red

## Male



Product may differ from Image

**Form**

Form 17161

**Cables**

Cable number	903
No./diameter of wires	8 × 0.25 mm <sup>2</sup>
Wire isolation	PVC (bl, wh, gn, ye, gr, pk, rd, br)
Shore hardness outer jacket	90 ± 3A
Outer Ø	approx. 1.25 mm
Bend radius (fixed)	12 × outer Ø
Bend radius (moving)	15 × outer Ø
Temperature range (fixed)	-40...+70 °C
Temperature range (mobile)	-5...+70 °C

**General data**

Temperature range -25...+85 °C

**Technical Data**

Operating voltage	max. 60 V AC/DC
Operating current per contact	max. 2 A
Locking of ports	Screw thread M12 × 1 mm (recommended torque 0.6 Nm) self-securing
Protection	IP66K, IP67 inserted and tightened (EN 60529)

**Commercial data**

country of origin	DE
customs tariff number	85444290
minimum order quantity	1