

**M12 FEMALE FLANGE PLUG A CODED REAR MOUNT**

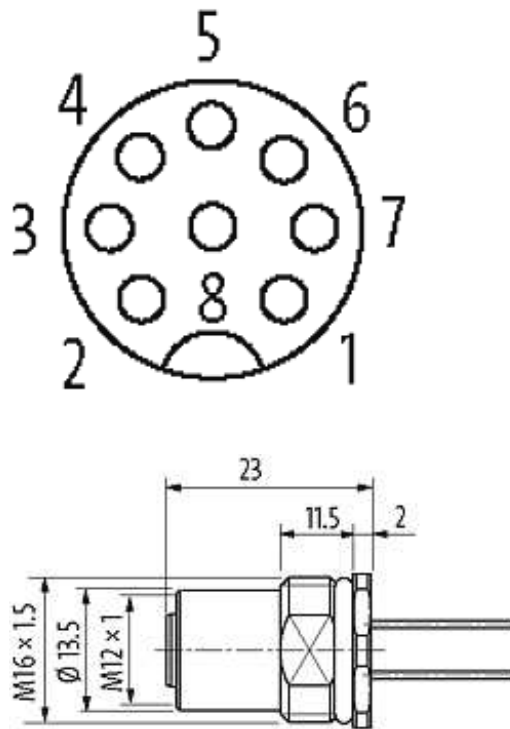
PP-wires 8x0,25 0.2m

Flange M12 female  
8-pole  
Rear mounting  
Mounting nut  
with multi-strand wire

[Link to Product](#)**Illustration**

1	⌋	white
2	⌋	brown
3	⌋	green
4	⌋	yellow
5	⌋	gray
6	⌋	pink
7	⌋	blue
8	⌋	red

# Female



Product may differ from Image

## Form

Form 17185

## Cables

Cable number	973
No./diameter of wires	8 × 0.25 mm <sup>2</sup>
Wire isolation	PP (wh, br, gn, ye, gr, pk, bl, rd)
C-track properties	2 Mio.
Shore hardness outer jacket	75 ± 5A
Outer Ø	approx. 1.25 mm
Bend radius (fixed)	10 × outer Ø
Bend radius (moving)	15 × outer Ø
Temperature range (fixed)	-40...+80 °C
Temperature range (mobile)	-20...+80 °C

## General data

Temperature range -25...+85 °C

## Technical Data

Operating voltage	max. 30 V AC/DC
Operating current per contact	max. 2 A
Locking of ports	Screw thread M12 × 1 mm (recommended torque 0.6 Nm) self-securing

Protection	IP66K, IP67 inserted and tightened (EN 60529)
------------	---

Material	CuZn, nickel plated
----------	---------------------

**Commercial data**

country of origin	DE
-------------------	----

customs tariff number	85444290
-----------------------	----------

minimum order quantity	1
------------------------	---