

M12 FEMALE FLANGE PLUG A CODED REAR MOUNT

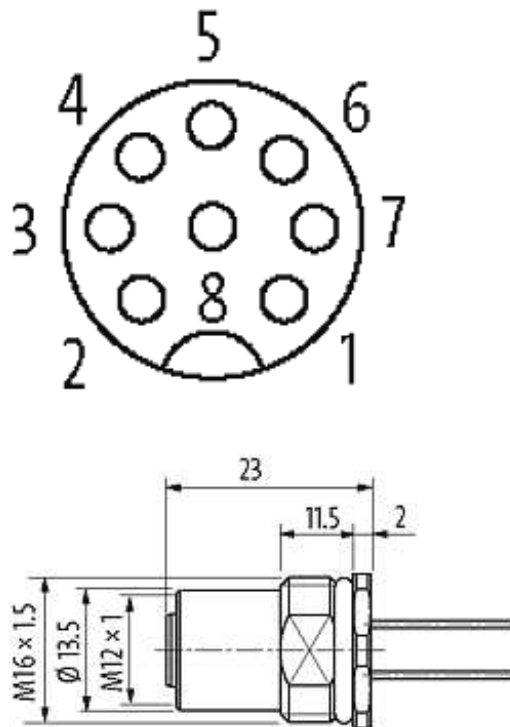
Wires Litzen 8x0,34 0.2m

Flange M12 female
8-pole
Rear mounting
Mounting nut
with multi-strand wire

[Link to Product](#)**Illustration**

1	↷	white
2	↷	brown
3	↷	green
4	↷	yellow
5	↷	gray
6	↷	pink
7	↷	blue
8	↷	red

Female



Product may differ from Image

Form

Form 17185

Cables

Cable number	985
No./diameter of wires	8 × 0.34 mm ²
Wire isolation	PP (wh, br, gn, ye, gr, pk, bl, rd)
C-track properties	5 Mio.
Torsion	2 Mio. ± 180°/m
Shore hardness outer jacket	90 ± 5A
Outer Ø	approx. 1.25 mm
Bend radius (fixed)	5 × outer Ø
Bend radius (moving)	10 × outer Ø
Temperature range (fixed)	-40...+80 °C
Temperature range (mobile)	-25...+80 °C

General data

Temperature range -25...+85 °C

Technical Data

Operating voltage max. 30 V AC/DC

Operating current per contact max. 2 A

Locking of parts Screw thread M12 × 1 mm (recommended torque 0.6 Nm) self-

Locking of ports	securing
Protection	IP66K, IP67 inserted and tightened (EN 60529)
Material	CuZn, nickel plated
Commercial data	
country of origin	DE
customs tariff number	85444290
minimum order quantity	1