

**M12 FEMALE FLANGE PLUG A CODED REAR MOUNT**

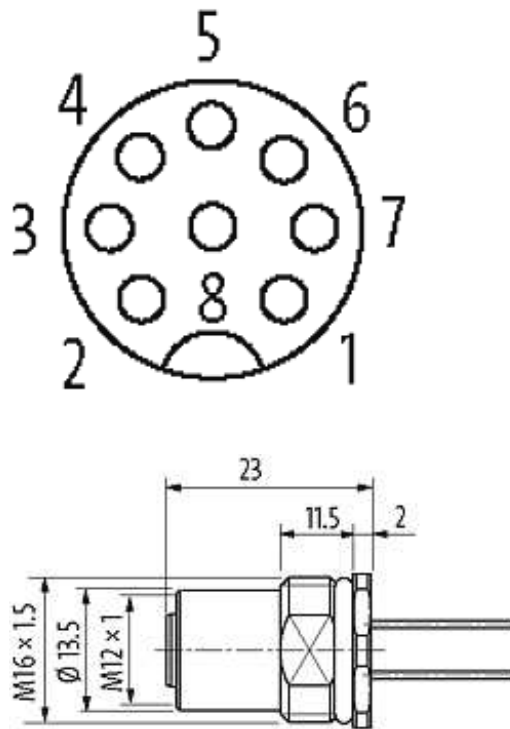
Wires Litzen 8x0,34 1.0m

Flange M12 female  
8-pole  
Rear mounting  
Mounting nut  
with multi-strand wire

[Link to Product](#)**Illustration**

1	⤵	white
2	⤵	brown
3	⤵	green
4	⤵	yellow
5	⤵	gray
6	⤵	pink
7	⤵	blue
8	⤵	red

# Female



Product may differ from Image

## Form

Form 17185

## Cables

Cable number	985
No./diameter of wires	8 × 0.34 mm <sup>2</sup>
Wire isolation	PP (wh, br, gn, ye, gr, pk, bl, rd)
C-track properties	5 Mio.
Torsion	2 Mio. ± 180°/m
Shore hardness outer jacket	90 ± 5A
Outer Ø	approx. 1.25 mm
Bend radius (fixed)	5 × outer Ø
Bend radius (moving)	10 × outer Ø
Temperature range (fixed)	-40...+80 °C
Temperature range (mobile)	-25...+80 °C

## General data

Temperature range -25...+85 °C

## Technical Data

Operating voltage max. 30 V AC/DC

Operating current per contact max. 2 A

Locking of parts Screw thread M12 × 1 mm (recommended torque 0.6 Nm) self-

Locking of ports	securing
Protection	IP66K, IP67 inserted and tightened (EN 60529)
Material	CuZn, nickel plated
<b>Commercial data</b>	
country of origin	DE
customs tariff number	85444290
minimum order quantity	1