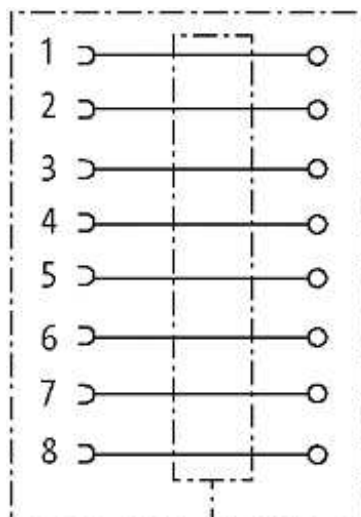
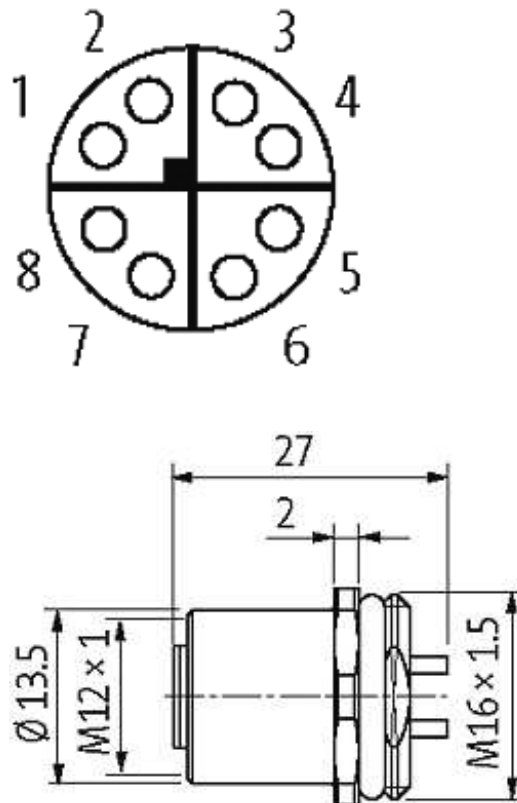


**M12 female receptacle X coded rear mount solder**

Ethernet CAT6A  
Mounting nut  
Flange M12 female  
8-pole, shielded  
Solder connection  
Rear mounting

**[Link to Product](#)****Illustration**

# Female



Product may differ from Image

## More Info



## Form

Form 21161

## General data

Temperature range -40...+85 °C

## Technical Data

Operating voltage	max. 50 V AC/60 V DC
Operating current per contact	max. 0.5 A
Transfer parameters	CAT6, class EA (ISO/IEC 11801:2002), (EN 50173-1)
Transfer rate	10 Gbit/s
Coding	M12, X-coded
Locking of ports	Screw thread M12 × 1 mm (recommended torque 0.6 Nm) self-securing
Protection	IP67 inserted and tightened (EN 60529)

Housing CuZn, nickel plated

**Commercial data**

country of origin	DE
customs tariff number	85369010
minimum order quantity	1